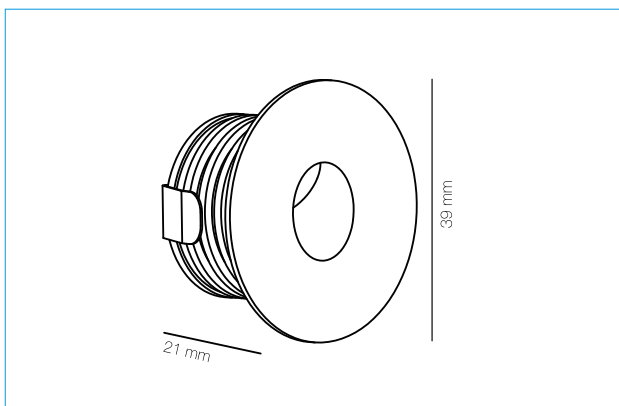


## TECHNICAL DATASHEET

ALRD032PC

1W IP65 Low Level LED Light



### PRODUCT FEATURES

- Anti-Glare Low Level Lighting
- Frosted Glass for Optimum Light Distribution
- Ideal for Stair Lighting and Commercial Lighting
- Ultra Slim Profile

	<b>ErP</b> Compliant
	<b>3</b> Year Guarantee

**ALL LED** ALDR032PC

This luminaire contains built-in LED lamps.

A++	} LED
A+	
A	
B	
C	
D	

The lamps cannot be changed in the luminaire.

874/2012

PRODUCT CODE	ALRD032PC/30	ALRD032PC/40
Finish	Polished Chrome	Polished Chrome
Power	1W	1W
Lumens	≤80 lm	≤90 lm
IP	IP65	IP65
Colour	3000K	4000K