

Meter Enclosure Instructions

Instruction leaflet for fitting 125/250A Meter Enclosure

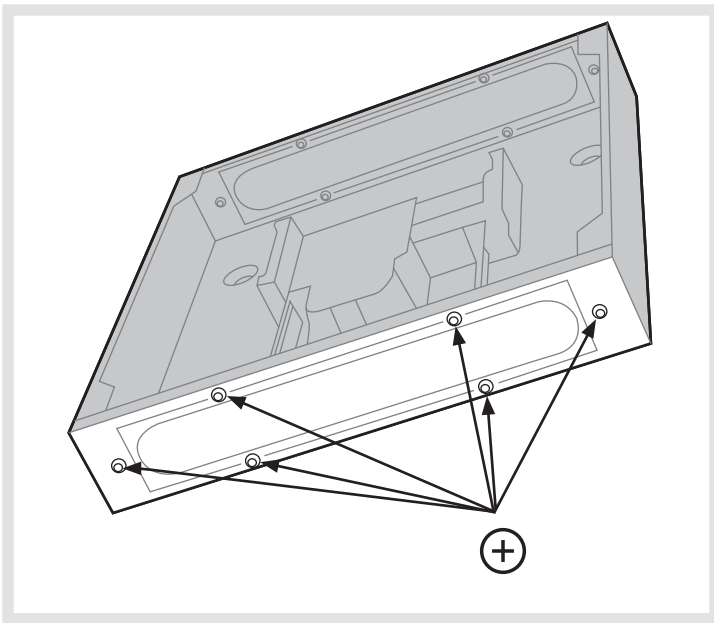
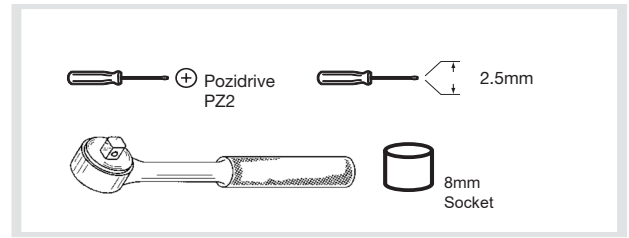
Meter phase cables to be fitted when fitting incomer (see incomer instructions). Incomer shown in place for illustration purposes.

Please refer to the incomer fitting instructions for fitting of incomer links.

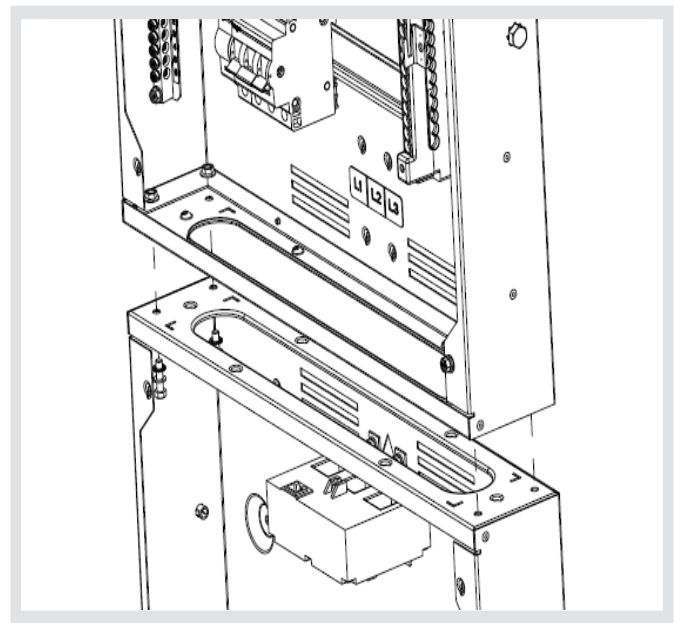
Connect the the loom leads (L1, L2, L3 & N)

Ensure the meter cables have sufficient clearance from the phase links.

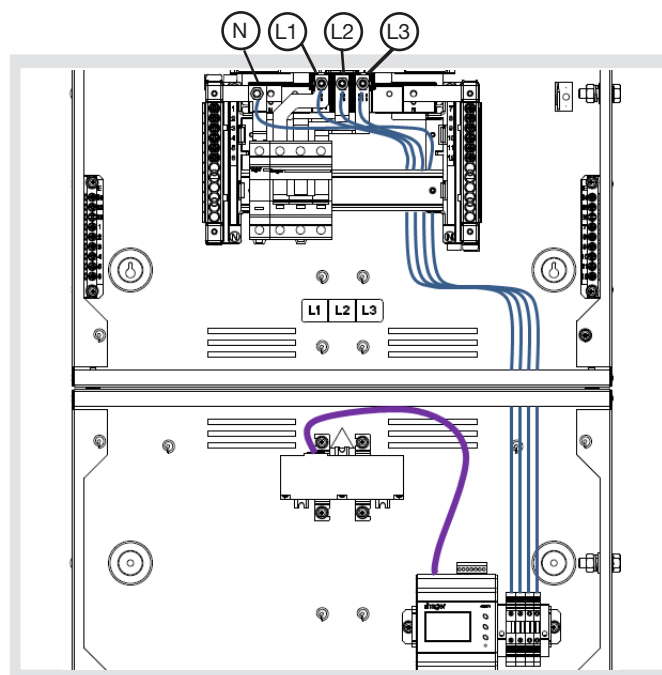
Ensure that all electrical connections on the incomer device are tightened to 3.5Nm. Ensure the copper link upper connection points are tightened to 5Nm.



Remove gland plate from the bottom of the 125/250A TPN board and screw back in position on the bottom of the meter enclosure.



Once gland plate is removed from the TPN board the meter enclosure can be mounted together using the fasteners provided.



Connection with 3 or 4 pole switch, RCB or direct connection incomer, place the ring terminals over the phase studs and torque the L1 L2 L3 & N nuts to 5 Nm