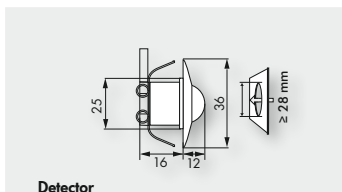


PD9-M-1C+HVAC-FC



„Size comparison“



Detector

PRODUCT INFORMATION

- Mini occupancy detector with additional potential-free contact
- One switching channel for operating the light
- One potential-free contact for HVAC
- Simple operation with remote control (required)
- Detection area can be extended with Slave units
- Push button manual switching available
- Power unit passes through hole in ceiling for sensor
- Spring clips for quick and easy installation in suspended ceilings and light fittings
- Includes 45mm cover ring and blinds

TECHNICAL DATA

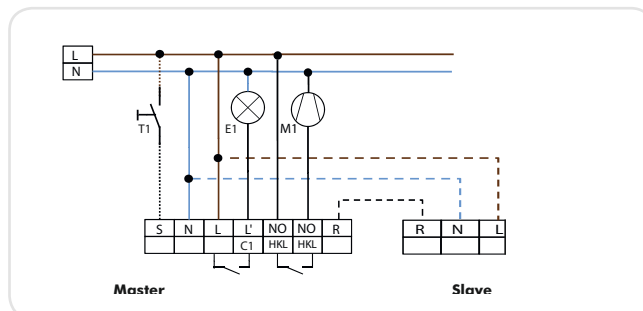
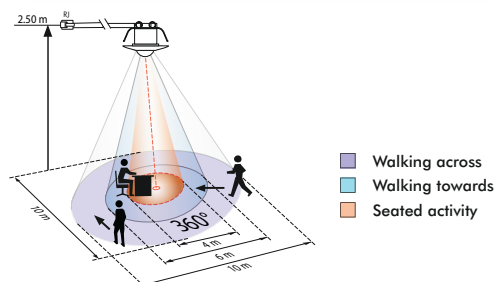
- ~ 110-240 V AC , 50 / 60 Hz
- ☂ 360°
- Ø 10 m across
- ☂ Ø 6 m towards
- ☂ Ø 4 m seated
- IP FC= IP20 / Class II
- 🌡 -25 °C to +50 °C
- 📏 150 cm (screened)
- 📡 IR-PD-Mini, IR-PD-2C

Channel 1 (control the lighting)

- ⚡ 2300 W, $\cos \varphi = 1$
- ⚡ 1150 VA, $\cos \varphi = 0.5$
- 🕒 15 s - 30 min or pulse
- 🌙 10 - 2000 Lux

Channel 2 (control HVAC potential free)

- ⚡ Dry contact type NO 3A, 230 V, $\cos \varphi = 1$
- 🕒 Alarm pulse, pulse or 5 - 120 min



Description	Colour	Part number
PD9-M-1C+HVAC-FC	white	92976
Accessory (optional)		
IR-PD-2C (necessary)	grey	92475
IR-PD-Mini	grey	92159
Cover ring for PD9 (Ø 36 mm)	white/ silver/ anthracite	92238/ 92237/ 92235
Cover ring for PD9 (Ø 45 mm)	white/ silver	92327/ 92346