
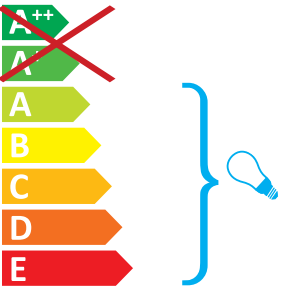


LAMP SPECIFICATIONS:	
Lumens total flux	400 lm
Lumens 120° flux	320 lm
Rated Wattage	6W
Rated luminous flux	400 lm
Nominal life time of the lamp	15,000 hrs
Colour temperature	3000K
Number of switching cycles before premature lamp failure	100,000
Warm-up time up to 60 % of the full light output	Instant full light
Dimmable	No
Lamp dimensions (mm)	284 x 25mm
Nominal beam angle	120°
Rated power	6W
Rated lamp lifetime	15,000 hrs
Lamp power factor	>0.5
Lumen maintenance factor at end of nominal life	>70%
Starting time	<0.5s
Colour rendering	≥80%
Colour consistency	Within 6 step Macadam ellipse
Rated peak intensity	122cd
Rated beam angle	120°
Not suitable for accent lighting	


Eterna LEDSHDVO




This luminaire is compatible with bulbs of the energy classes:

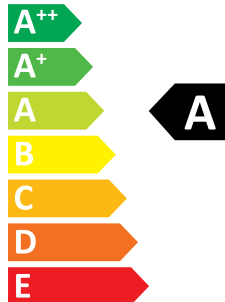


This luminaire is sold with a bulb of the energy class: **A**

874/2012 

 **ENERGY** IJA IE IA
енергия · ενεργεια

Eterna LEDSHDVO



6 kWh/1000h



INSTALLATION INSTRUCTIONS

A guide for qualified electricians



Pack contents:
 1 x Shaverlight fitting
 1 x 6W LED S15 284mm 3000K strip lamp
 2 x Fixing screws and wall plugs

Model:
LEDSHDVO

LED Dual Voltage Shaver Light

These instructions are provided as a guideline to assist you.

**PLEASE READ THESE INSTRUCTIONS BEFORE USING YOUR NEW FITTING
 PLEASE RETAIN FOR FUTURE REFERENCE**

EVENTUALLY, YOU MAY WANT TO REPLACE THIS PRODUCT:

Regulations require the recycling of Waste from Electrical and Electronic Equipment (European "WEEE Directive" effective August 2005—UK WEEE Regulations effective 2nd January 2007). Environment Agency Registered Producer: WEE/ GA0248QZ.

WHEN YOUR PRODUCT COMES TO THE END OF ITS LIFE OR YOU CHOOSE TO REPLACE IT, PLEASE RECYCLE IT WHERE FACILITIES EXIST - DO NOT DISPOSE WITH HOUSEHOLD WASTE.

IF YOU EXPERIENCE PROBLEMS:

If you believe your product is defective, please return it to the place where you bought it. Our Technical Team will gladly advise on any Eterna Lighting product, but may not be able to give specific instructions regarding individual installations.

For breakage information visit:
www.eterna-lighting.co.uk



Issue 2014



FOR PRODUCT ADVICE:

- T: 01933 673 144
- F: 01933 678 083
- E: sales@eterna-lighting.co.uk

Visit our website:

www.eterna-lighting.co.uk

READ THIS FIRST:

Check the pack and make sure you have all of the parts listed on the front of this booklet. If not, contact the outlet where you bought this product.

This product must be installed by a competent person in accordance with the current building and IEE wiring regulations.

As the buyer, installer and/or user of this product it is your own responsibility to ensure that this product is fit for the purpose for which you have intended it. Eterna Lighting cannot accept any liability for loss, damage or premature failure resulting from inappropriate use.

This product is designed and constructed according to the principles of the appropriate British Standard and is intended for normal domestic service. Using this fitting in any other environments may result in a shortened working life.

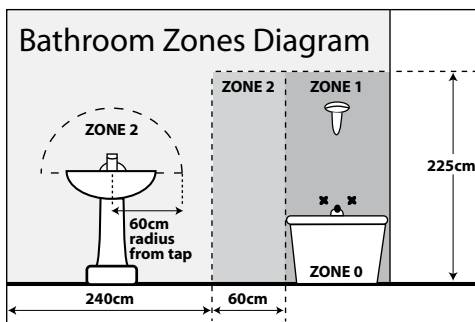
Switch off the mains before commencing installation and remove the appropriate circuit fuse or lock off MCB.

The lamp supplied with this fitting is a consumable part and therefore may be outside of any warranty offered.

This unit is suitable for indoor use only.

This product is suitable for use in living areas, and Bathroom dry (Outside) Zones only (see diagram below and current IEE Wiring Regulations for details). It is not suitable for Bathroom Zones 0, 1, 2, or other areas where contact with moisture is likely.

If being fitted in a bathroom a 30mA RCD must be used.



This product is designed for permanent connection to fixed wiring: this must be a suitable circuit (protected with the appropriate MCB or fuse).

This product is suitable for installation on surfaces with normal flammability e.g. wood, plasterboard and masonry. It is not suitable for use on highly flammable surfaces (e.g. polystyrene, textiles).

Before making fixing hole(s), check that there are no obstructions hidden beneath the mounting surface such as pipes or cables.

The chosen location of your new fitting should allow for the product to be securely mounted and safely connected to the mains supply (lighting circuit).

Do not cover the fitting.

When making connections ensure that the terminals are tightened securely and that no strands of wire protrude. Check that the terminals are tightened onto the bared conductors and not onto any insulation.

This product must be connected to earth termination.

WARNING: This product becomes hot!

This product is not intended to be used by children and persons with sensory, physical and/or mental impairments that would prevent them from using it safely.

IMPORTANT— Always switch off and isolate mains to the fitting before changing the lamp.

You are advised at every stage of your installation to double-check any electrical connections you have made. After you have completed your installation there are electrical tests that should be carried out, these tests are specified in the current IEE wiring and building regulations.

CLEANING:

Clean this product only with a soft dry cloth.

Disconnect the power and clean the exterior only of this fitting with a moist (not wet) cloth.

The diffuser may be removed and washed in a mild detergent solution. Make sure the diffuser is completely dry before putting back on your light fitting.

Do not use any chemical or abrasive cleaners.

INSTALLATION:

01. Remove the diffuser by pressing points shown in figure 1.
02. Remove the tube by pushing away from the pull cord end and lifting as shown in figure 2.
03. Place the fitting in the desired location and use as a template to mark the fixing points.
04. If fixing directly to the wall, drill holes and use wall plugs provided. See figure 3.
05. Lift off the back cover of the fitting and thread the supply cable through the hole in the middle.
06. Make connections to the fitting. See figure 4.
07. Replace the back cover.
08. Secure the fitting in place using the fixings supplied, if the fixings are not suitable to your installation use appropriate alternatives.
09. Insert the lamp and replace the diffuser as shown in figure 5. Please note the fitting will not work unless the diffuser is fitted.
10. Restore power and switch on.

NOTE: The shaver socket will only operate when the light is switched on.

LAMP REPLACEMENT:

- 01) Switch off the electricity at the mains.
- 02) Remove the diffuser and lamp as shown in figures 1 & 2.
- 03) Install new lamp and replace diffuser.

REPLACEMENT LAMP TYPE:

Wattage: 60W max.

LED replacement lamp available from Eterna.
Product code: S15LED284.

Supply Voltage: 230V-240V.

Size: 284mm S15 strip lamp.

