
HR2/BLL4LED600P

Mini Horizon Louvre LED 600, Black, Premium Opal Diffuser, PIR



Range Information

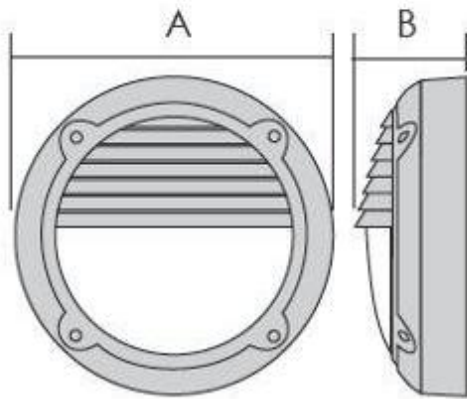
Designed for use where the aesthetics of the lighting scheme and a robust construction are of paramount consideration. Available in two base sizes, the range offers a host of lamp, LED and operating options. The range also offers a 353mm metal based version which has multiple side entries to suit a variety of installations. The fittings are provided with a plain opal diffuser. Options are also available with cage, eyelid or louvre fascia to reduce upward glare, providing greater direction and emphasis of illumination to architectural and design environments.

Range Specification

- 283mm and 353mm base.
- Various lamp options + LED options.
- Screw down cover.
- Anti-tamper screws available.
- IP65.
- Simple installation.
- Photocell version available (external use only).
- PIR versions available.
- HI-LO PIR (luminaire at 10% during periods of inactivity, 100% light output when HI-LO PIR detects movement).
- eMotion™ options (internal only).
- Opal or Fresnel diffuser.

Technical Information

Colour	Black
Diffuser	Premium Opal
CCT	4000K
Delivered Lumens	281.8lm
System Power	8.2W
Efficacy	34lm/W



Size	HR2	HR3
A	283mm	353mm
B	113mm	122mm