

SIERRA BULKHEAD

Product Features

- Decorative interior bulkhead ideal for commercial applications
- Polished Chrome trim accessory available, white as standard
- Polycarbonate base and diffuser for increased durability
- Microwave control and emergency versions available



IP54 Rating	30K Hours	50K Hours	4000K NEUTRAL WHITE	220-240 Volt	WHITE FINISH	5 YEAR Warranty
	15W	24W				

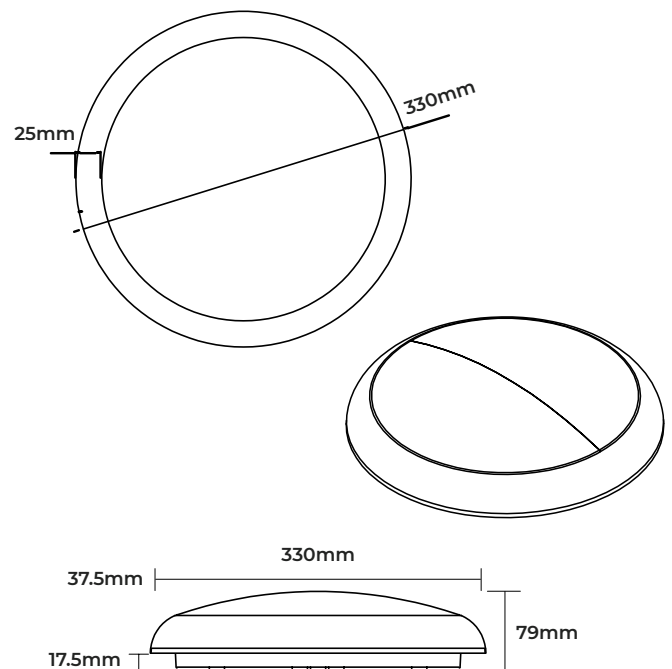
CAT NO.	DRIVER	LUMINAIRE LUMENS	WATTAGE
LBSR33W12S40	Fixed Output	1200	15W
LBSR33W12E40	Fixed Output + Emergency	1200	15W
LBSR33W20S40	Fixed Output	2000	24W
LBSR33W20E40	Fixed Output + Emergency	2000	24W

Product Accessories

CAT NO.	DESCRIPTION
LBSRTPC	Polished chrome trim



Product Drawing



PRODUCT OPTIONS	
Microwave Control	LBSR33WxxS40MW
Microwave and Emergency	LBSR33WxxE40MW

CAT NO.	WEIGHT (kg)	EFFICACY (Lm/W)	CRI	FREQUENCY (Hz)	UGR	IK RATING	TEMP RANGE (°C)	AMBIENT TEMP RATED LIFE (°C)	L/B RATED LIFE
LBSR33W12S40	0.99	80	>80	50-60	<23	IK08	-20 to +30	25	L70 / B50
LBSR33W12E40	1.29	80	>80	50-60	<23	IK08	-20 to +30	25	L70 / B50
LBSR33W20S40	0.99	83	>80	50-60	<24	IK08	-20 to +30	25	L70 / B50
LBSR33W20E40	1.29	83	>80	50-60	<24	IK08	-20 to +30	25	L70 / B50

LBSR33W12S40
Luminaire Performance
 Light Output Ratio: 100%
 Luminaire Efficacy: 80lm/W
 Light Distribution: A40 ±98.7% ±1.3%
 CIE Flux Codes: 46 76 94 99 100
 UGR 4H 8H (20%, 50%, 70%) C0 / C90: 22 / 22.2

Luminous Intensity

■ C0 / C180 cd / 100lm ---c90 / c270

LBSR33W20S40
Luminaire Performance
 Light Output Ratio: 100%
 Luminaire Efficacy: 83.33lm/W
 Light Distribution: A40 ±98.7% ±1.3%
 CIE Flux Codes: 46 76 94 99 100
 UGR 4H 8H (20%, 50%, 70%) C0 / C90: 23.8 / 24.0

Luminous Intensity

■ C0 / C180 cd / 100lm ---c90 / c270

LUCECO

This luminaire contains built-in LED lamps.

A++
A+
A
B
C
D
E

} LED

The lamps cannot be changed in the luminaire.

874/2012

STANDARD	DESCRIPTION
EN 60598-1	Luminaires – General requirements
EN 60598-2-1	Luminaires – Fixed general purpose
EN 60598-2-22	Luminaires – Emergency
EN 61000-3-2	Electromagnetic compatibility (EMC) – Part 3-2: Limits - for harmonic current emissions
EN 61000-3-3	Limits - Limitation of voltage changes, voltage fluctuations and flicker in public low-voltage supply systems, for equipment with rated current ≤ 16 A per phase and not subject to conditional connection
EN 61547	Equipment for general lighting purposes – EMC immunity requirements
EN 55015	Limits and methods of measurement of radio disturbance characteristics of electrical lighting and similar equipment

