

ATC Electrical & Mechanical

ATC House Broomhill drive

Tallaght, Ireland

Tel: (IE) +353 (01) 4678301

Tel: (UK) +44 (0203) 564 9164

Fax: +353 (01) 4520887

Email: sales@atc.ie

atc.ie

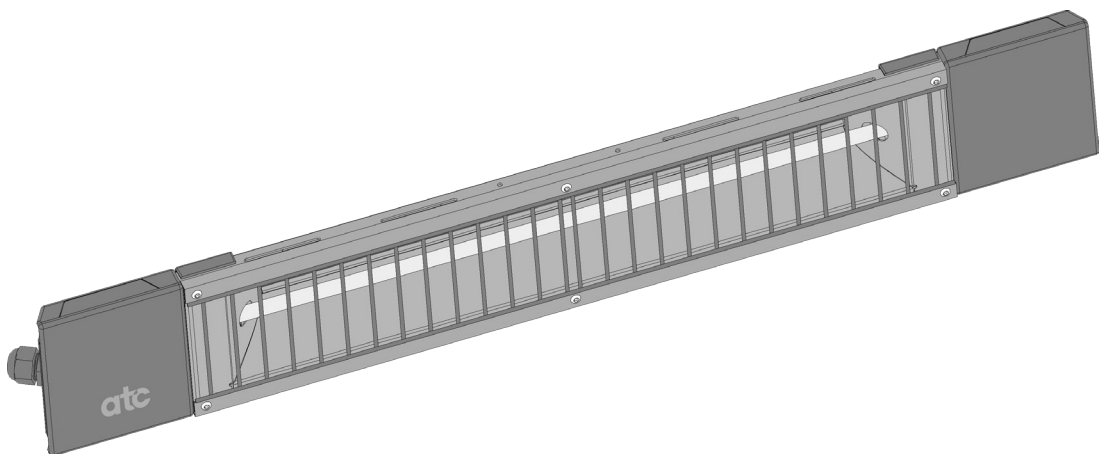
atcelec.co.uk

atc

Alfresco Outdoor Heater

Alfresco Portable Outdoor Heater

HALOGEN QUARTZ INFRARED HEATER



INSTALLATION, OPERATION & MAINTENANCE MANUAL



Class I - IP 55

1. IMPORTANT INFORMATION

Instructions should be carefully read before installation and retained by the user. The booklet must be kept and delivered to the new user in case the unit is sold. The Manufacturer reserves the right to vary the features of the product without prior notice. The technical data are indicative only.

1. This appliance is intended solely for the use it has been designed for, namely space heating. The Manufacturer is not responsible for any damage that could happen for improper use.
2. After unpacking make sure that the appliance is complete and shows no signs of visible damage or tampering.
3. Keep packing materials, which are potential dangers, away from children.
4. The appliance is not suited for persons (as well as children) physically, mentally, sensory disabled, or with no experience, unless they have been supervised or directed by someone responsible of their safety.
5. Do not let the children play with the appliance.
6. Before wiring the heater or inserting the plug make sure that the supply voltage is the same as indicated on the device rating label.
7. Do not use in presence of gas, inflammable or explosive liquids or substances.
8. Some fundamental rules which apply to all electrical devices must be observed when using the heater:
 - Do not touch the heater with wet hands.
 - Do not handle with bare feet.
 - Do not pull the electric cord or the device itself to unplug it from the socket; pull the plug directly.
 - Do not let children play with the electrical appliance.
9. Avoid improper use of extension cords.
10. Do not make any modification to the product that could compromise the safety.
11. Keep all electrical connections dry.
12. If the power supply cord is damaged, do not use the appliance. For power cord replacing, please contact the manufacturer or an and electrician to avoid any risk.
13. If the appliance is not used for a long period, disconnect it from the power supply.
14. Always unplug the appliance before doing any maintenance operation.

2. CAUTION REGARDING THE INSTALLATION OF THE APPLIANCE

Installation should always be carried out by a qualified electrician or a competent person in accordance with the standards HD 384 CENELEC for Europe, or international IEC 60346-7-708 1988. The energy supply must be done through a properly grounded socket. **In case of directly connection to supply line an over-voltage category III bipolar circuit breaker with contact opening distance of at least 3mm must be fitted upstream from the supply line.** Be careful to connect the heater to a supply line protected by 16 A fuses not quick-acting type.

- The heaters should always be installed horizontally only using the mounting brackets provided. *This ensures correct positioning and adequate clearance.*
- A minimum air gap of 15cm should always be allowed between the top of the heater and a ceiling or roof. The appliance should be 100cm away from any walls (**Fig.1**).
- Be sure that the heater is not facing the ceiling or any inflammable substances.
- A safety distance of not less than 100cm should always be left in front of the Alfresco heaters.
- This unit should be mounted at a minimum of 180cm above ground level (**Fig.1**). If installed in a toilet, the height should be 225cm in zone 1 and zone 2, according with the rules of each Country.
- The appliance must not be located directly below or in front of a wall socket or cable outlet.
- The heater must be installed so as to prevent any switches to be able touched by those in a shower or bath.
- Do not use the heater directly near a bathtub, a shower, a swimming pool.
- Ensure that there is no possibility of inflammable material coming into contact with the heater, or is kept near the heater.
- Heaters should not be installed in areas where hazardous vapours may be present. Defined in BS5345.
- The heaters are fitted with safety guards. These are intended only to stop large objects from hitting the emitters. On no account should the heater be operated with the guard removed.

The heating reaches a distance of about 3 meters in front of the appliance. The element of the heater is a halogen filled quartz linear lamp with a tungsten element. The heater operates at full output almost immediately.

3. ELECTRICAL INSTALLATION

The Alfresco is an 1800 Watt radiant heater. There are 2 versions, one designed for permanent installation (ALH1800) and one designed for a portable application (ALH1800-PORT). The portable version comes with a switch and pre-connected cable with IP-Rated outdoor connector and is designed for use with the Alfresco Tripod and Alfresco Bracket.

- For consumer use the heaters are fitted with high temperature silicone rubber flexible cable (H05RN-F).
- **Avoid touching any of the metal parts as they may be hot and cause burns.**
- The product is Class I and rated at IP55, which suitable for the heater to be used outdoors.
- To maintain IP rating of the appliance, the connection of the appliance with the power supply must be done by means of a minimum IP55 system, as per the standards HD 384 CENELEC for Europe, or international IEC 60346-7-708 1988.

4. LOCATION

The range of Alfresco heaters has been designed to provide flexibility in positioning. Three different options can be chosen:

Wall mounting using the support provided.

Before drilling holes into the wall for fixing the Rawlplugs, ensure that it is solid and that there are no electrical cables or pipes behind. Using a 5mm drill bit, drill 4 holes into the wall and fix the support using the supplied Rawlplugs.

Ensure that the arrow on the label is pointing upwards (**Fig. 2**). Attach the heater to bracket using the screws provided and adjust the direction of the heater to the correct direction and tighten the knob. (**Fig. 3**)

Ceiling mounting with chains.

Before drilling holes, ensure that the area of ceiling on which it is intended to fix the appliance is solid and can support the weight of the heater and there are no cables or pipes in the location.

Fit the chains to the appliance as shown in **Fig. 4** and screw the chains to the ceiling.

Portable unit mounted on Alfresco Tripod. See Tripod section for assembly instructions.

5. USE

The element of the heater is the halogen filled quartz linear lamp with a tungsten element. The heater operates at full output almost immediately. The heat reaches a distance of approximately 3 meters in front of the appliance.



Avoid exposing skin to the rays of the heater at distances less than 50cm.
Avoid exposing eyes to the rays of the heater at distances less than 2.70m.
All users should be made aware of all aspects of operation and safety and these instructions should be retained for reference.

- Switch on the electrical supply to the heater.
- Ensure that the rays of the heater are directed towards the area you wish to heat. If necessary, change the angle of inclination by loosening the support screws. **CAUTION THE BACK OF THE HEATER IS HOT**
- Do not use the heater directly near a bathtub, a shower, a swimming pool.
- In unoccupied premises it is recommended that the heating system is switched off and isolated from the electrical supply.

6. MAINTENANCE

The Alfresco heater contains no moving parts and therefore very little maintenance is required other than to ensure that there is no excessive build-up of dust/dirt on the reflectors or emitters as this can cause overheating and premature emitter failure. To clean the appliance, wipe off with a damp cloth.

The accumulation of limestone or salt encrustations reduces the life and the efficiency of the lamp; it is suggested therefore to avoid the continued use in presence of water or salt fog. Any residual salt water must always be removed before use.

7. EMITTER AND SILICON BUMPERS REPLACEMENT

The emitters used in the Alfresco are robust and if knocks and shock vibrations are avoided, they will last for around 5000 hours. When changing the lamp, the silicon bumpers connected with the lamp must be also be changed. They should be changed before replacement of the lamp if there are signs of aging and cracking.

8. TECHNICAL SPECIFICATION

ALH1800 or ALH1800-PORT	
Power Supply	220-240V~ 50-60Hz
Power Output	1800w
Insulation Class	I
Ingress Protection Level	IP55
Lamp Type	Quartz Tungsten
Lamp Life (approximate hours)	5000
Emission	IR-A
Range (m ²)	6 - 8
Weight (kg)	1.5
Dimensions (mm)	830 x 38 x 120

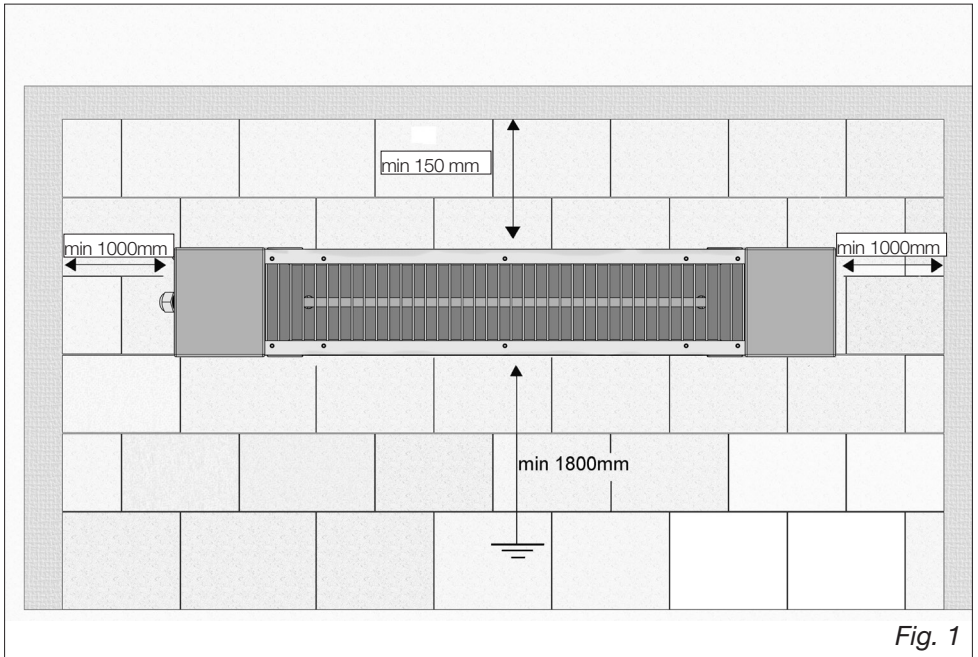


Fig. 1

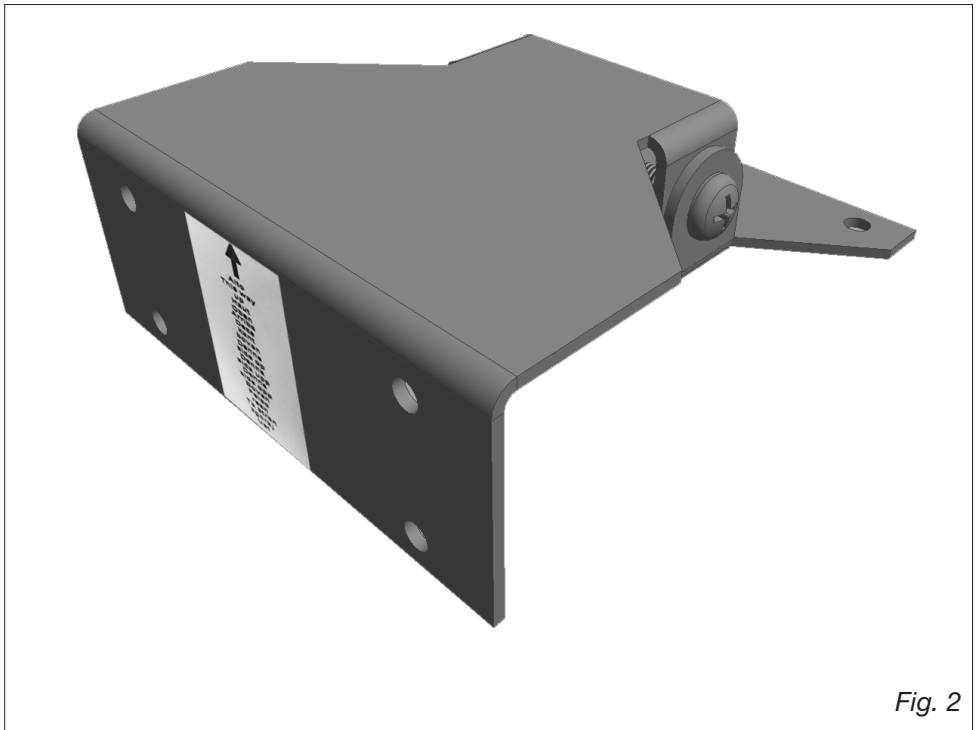


Fig. 2

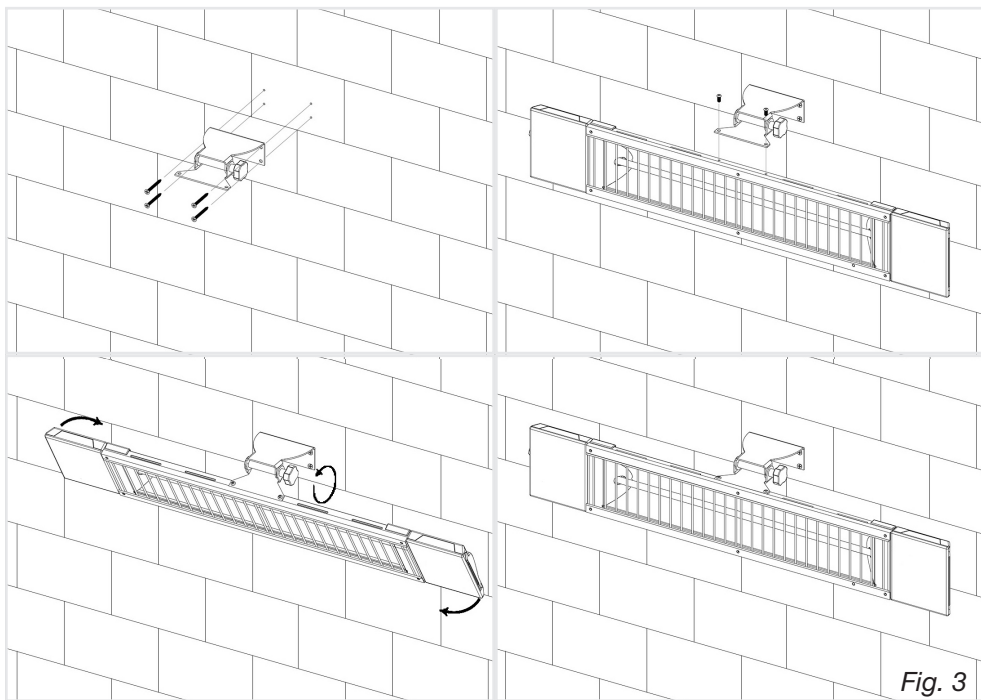


Fig. 3

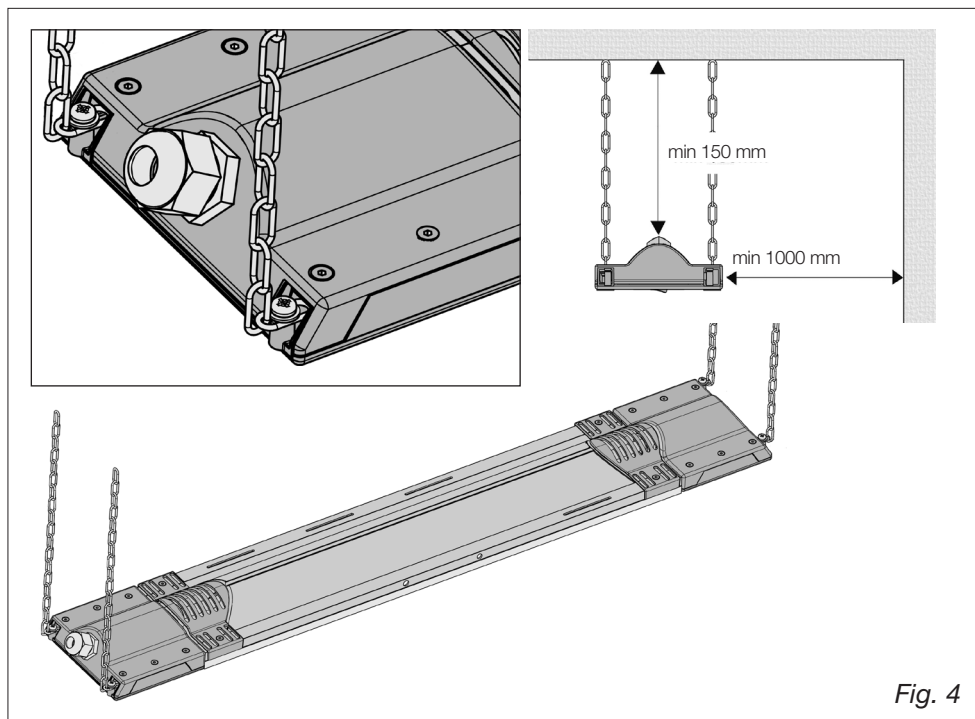
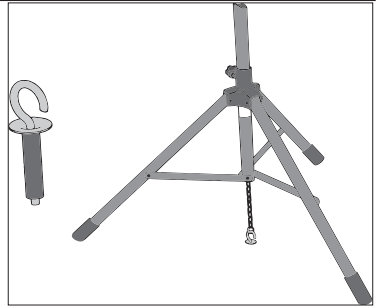


Fig. 4

TRIPOD ASSEMBLY INSTRUCTIONS

The Alfresco tripod is complete in the box, remove from the packaging and open the legs of the tripod to the white line and tighten the knob.

If the tripod is to be permanently installed, fix the provided hook into a solid surface and attach the chain into the hook and tighten.



POLE BRACKET ASSEMBLY

Using the standard Alfresco Bracket that comes with the Alfresco Portable heater (shown in Figure 2 above) attach to the pole bracket using the 4 screws provided. **Fig PB-1**

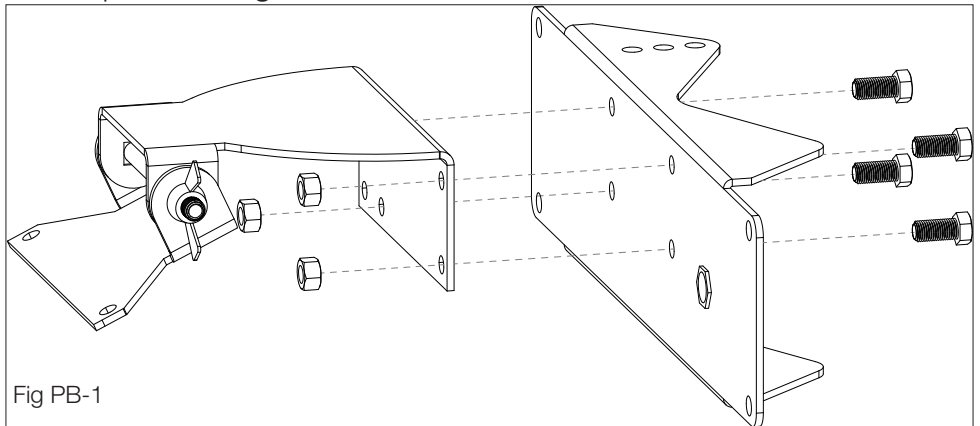


Fig PB-1

With the heater bracket attached, connect the back half of the bracket to the front with the provided Allen key bolt and dome nut. The bracket provides 3 fixing locations to accommodate different thickness poles. If you are using the Alfresco Tripod, use the back hole as shown in **Fig PB-2**.

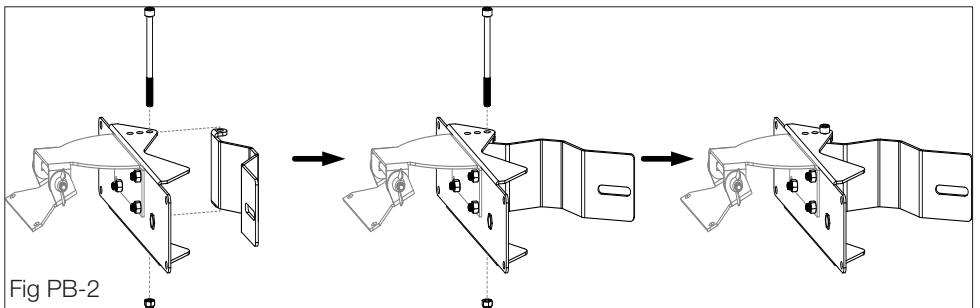
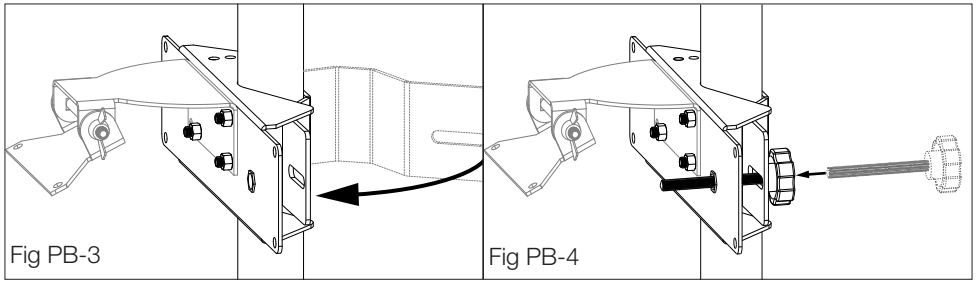
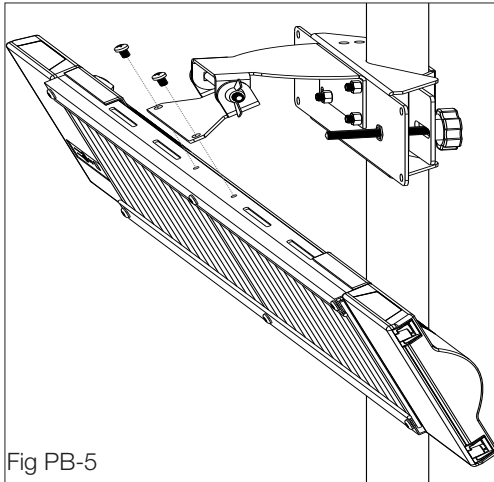


Fig PB-2



Close the back of the bracket onto the Pole **Fig PB-3** and insert the long screw with the knob through the back of the bracket and into the captive nut in the front half of the bracket. Tighten the knob until the bracket is fixed tightly in place **Fig PB-4**.

With the Pole Bracket firmly attached to the Tripod, mount the Alfresco Portable heater to the bracket using the 2 screws provided with the heater as shown in **Fig PB-5**.



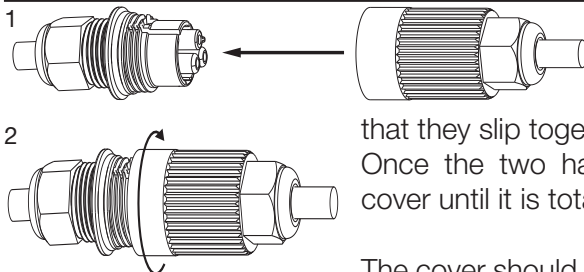
NOTE: The screws to attach the heater come in the bag with the chains supplied with the heater, not the pole bracket.

Once the heater is mounted onto the pole bracket, tighten the wing-nut to point the heater into the desired direction.

The Alfresco Portable heater comes complete with pre wired cable with an external waterproof connector.

The cable should be looped over the top of the pole bracket and secured to the pole with the provided Velcro strap - underneath the pole bracket keeping the cable away from the back of the heater.

WATER PROOF CABLE CONNECTOR ASSEMBLY



To connect the 2 halves of the supply cable together, line up the 3 pins on both halves so

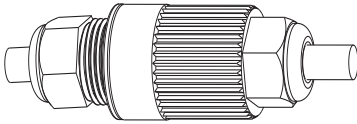
that they slip together. (1)

Once the two halves are together tighten the cover until it is totally closed. (2)

The cover should reach all the way to the bottom of the connector. (3)

3

Do not open the connector when the heater is powered.



Once the cable connection has been made the cable should be then tied to the pole below the connector with the other Velcro strip provided for this purpose.

When disassembling the heater always remember to remove the cable from the pole prior to disassembly of the tripod and heater, damage may occur should the tripod be collapsed without removing the cable.

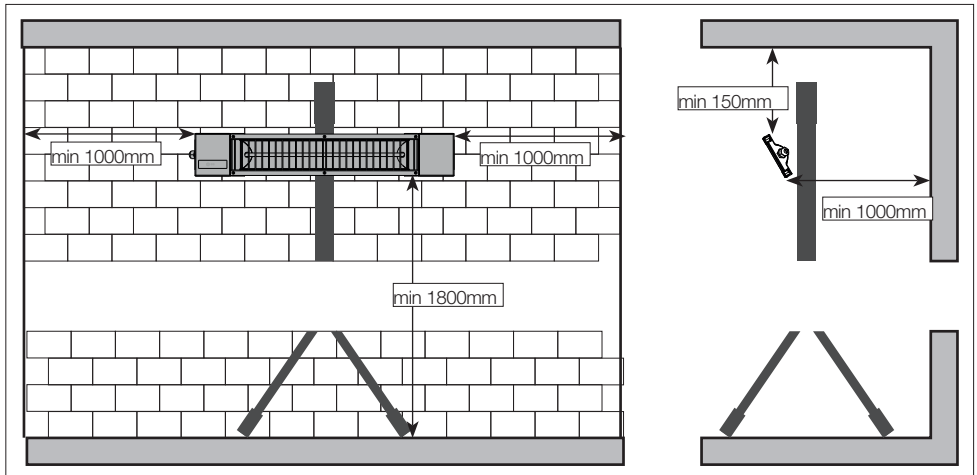
Connect the 3 pin plug to a suitable socket, the Alfresco Portable heater can then be operated with the switch on the front of the heater.



When adjusting the angle of the heater be careful not to touch the metal parts of the heater, the metal parts of the heater will be hot and can cause burns

MINIMUM CLEARANCE FOR TRIPOD USE

Ensure that when choosing a position to mount the tripod that the following minimum distances are met.



GUARANTEE

Your appliance is guaranteed for 2 years from the date of purchase – during this period we will repair or exchange, at our discretion, any faulty or defective parts providing the appliance has been used in accordance with the operating & installation instructions and has not been misused or mistreated in any way.

LAMPS ARE NOT COVERED UNDER THE MANUFACTURERS GUARANTEE. LAMPS ARE A CONSUMABLE ITEM.

Any un-authorised repair or attempted repair will invalidate the guarantee.

You may be asked to return the product to our workshop for inspection to establish whether the fault is covered under the guarantee.

The guarantee is valid in the U.K. and Ireland only.

This guarantee is additional to your statutory rights.

In the unlikely event of a problem with your appliance please contact your supplier.

ENVIRONMENTALLY COMPATIBLE DISPOSAL OF THE APPLIANCE

This product conforms to EU Directive 2002/96/EC.

This appliance bears the symbol of the crossed wheelie bin. This indicates that, at the end of its useful life, it must not be disposed of as domestic waste, but must be taken to a collection centre for waste electrical and electronic equipment, or returned to a retailer on purchase of a replacement.

It is the user's responsibility to dispose of this appliance through the appropriate channels at the end of its useful life. Failure to do so may incur the penalties established by laws governing waste disposal.

Proper collection, and the subsequent recycling, processing and environmentally compatible disposal of waste equipment avoids unnecessary damage to the environment and possible related health risks, and also promotes recycling of the materials used in the appliance.

For further information on waste collection and disposal, contact your local waste disposal service, or the shop from which you purchased the appliance.

Manufacturers and importers fulfil their responsibilities for recycling, processing and environmentally compatible disposal either directly or by participating in collective systems.

