

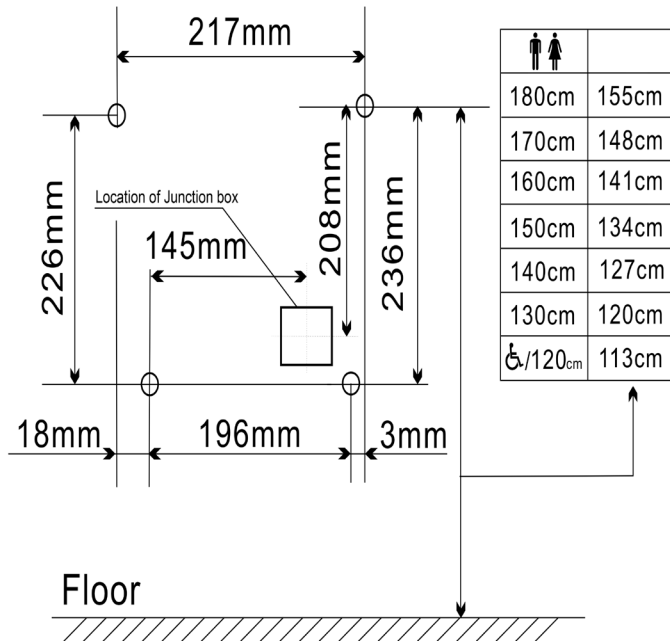
Precautions before installation

Do not install in the following locations, installation in these areas can cause the unit to malfunction and could void the warranty on the hand dryer.

- Areas with temperatures below 0°C and above 40°C
- In direct sunlight, above reflective surfaces, or surfaces that radiate heat - this may cause unwanted operation of the sensor.
- Above Counters or sinks
- Areas of high humidity or moisture levels
- Locations containing Corrosive or Oxidizing gases
- Areas at altitudes above 2000m

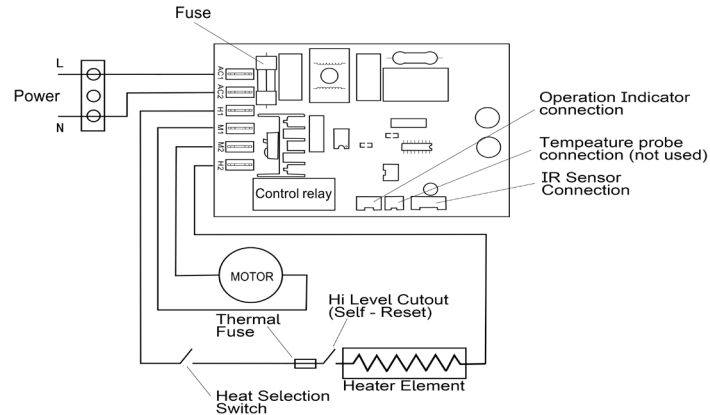
Installation Location

- The chart below shows the recommended mounting height for the hand dryer.
- Make sure the hand dryer is mounted more than 150mm away from walls on either side of the dryer to ensure access to the cover mounting screws.
- Do not mount the dryer behind doors where the opening of the door may damage the dryer.
- Do not install the dryer with the power connected.
- **This hand dryer must be connected by a qualified electrician when it is being installed.**



Note: If you are replacing the supplied power cable the cord used must have a cross section of at least 1.5mm² (1.5mm² 2 Core & Earth)

Circuit Diagram



Environmental Protection



Waste Electrical and Electronic Equipment (WEEE) must never be placed in any household wheelie bins. WEEE is taken back free of charge at electrical retail outlets on a one-for-one like-for-like basis. Local authority civic amenity facilities also take back WEEE free of charge. Do not dispose of this hand dryer with household waste.

WARRANTY

ATC Electrical and Mechanical provides a two year limited parts warranty for the Z-3145M/W hand dryers as long as the unit has been installed, used and maintained in accordance with the information provided in this manual.

In order to arrange parts for the hand dryer, the information listed below is required. It is recommended to write this information below and keep this instruction manual in a safe place.

Receipt Number: _____

Date of Manufacturer: _____

Date of Purchase: _____

Location of Purchased: _____

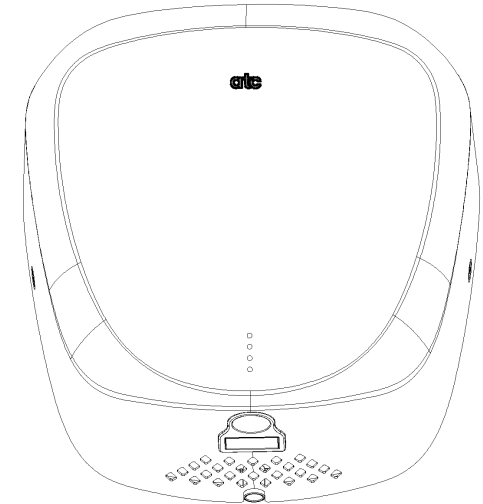
atc atc House,
Broomhill drive
Tallaght
D24 EF99
Ireland

ELECTRICAL & MECHANICAL
Heating & Ventilation Division

IE:003531 4678301
UK:0044 203 564 9164
FAX: 003531 4520887
Email: Sales@atc.ie

www.atc.ie

ATC Tiger Eco High Speed Hand Dryer



Z-3145M Stainless Steel Cover
Z-3145W White Cover

atc

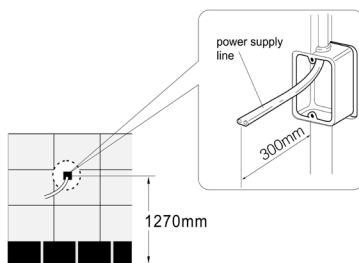
Installation Method

First Fix:

A recessed junction box should be installed to allow the hand dryer to sit flush to the wall.

The Height of the junction box should be determined from the table shown in the installation location section.

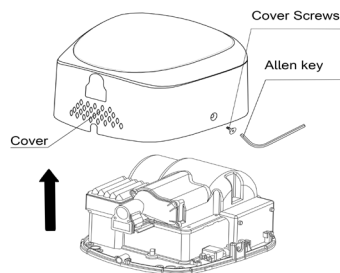
At least 300mm of cable should be left for final connection.



Cover Removal:

Remove the Cover Screws on either side of the hand dryer with the Allen key provided and retain screws.

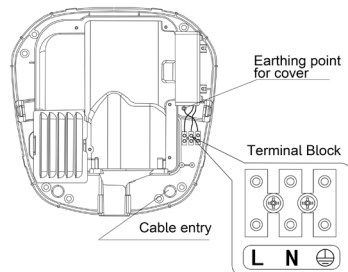
Lift off the cover and store in a location where it will not be damaged.



Mounting:

Drill the Mounting holes according to the template shown overleaf, and mount the hand dryer with the provided plastic wall plugs and screws.

Connect the power cable to the terminal block and ensure the correct polarity at the terminals.

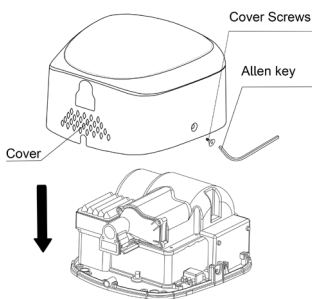


Note: The infra red sensor on the Tiger Eco is fixed, do not install the hand dryer in locations where there is anything below the unit as they can start the dryer. e.g. Radiators, above sinks, above shelves etc.

Replace the cover:

Place the cover over the base plate, insert the cover screws and tighten with the Allen Key provided.

Note: *The Cover is earthed through the cover mounting screws. Please ensure that they are firmly attached prior to re-energizing the power supply.* Once the Cover is in place, re-energize the power supply and test the hand dryer for operation.

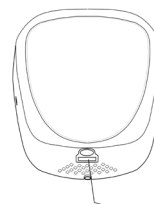


For additional user protection the installation of a residual current device (RCD) with a rated residual operating current not exceeding 30mA is advisable in the electrical circuit supplying the bathroom. Please ask your installing electrician for advice

Daily Use and Maintenance

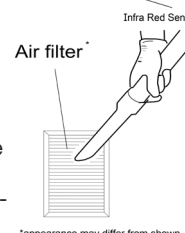
External Maintenance:

- Regularly clean the cover and sensor with a soft cloth. Do not use harsh chemicals, abrasive, acid or alkali based cleaning products as they can damage the finish of the hand dryer. If using a chemically impregnated cloth, test on an inconspicuous area prior to use to test for suitability.

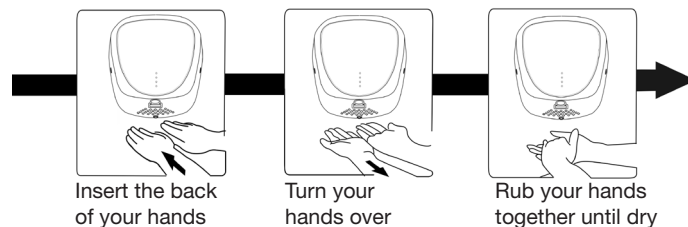


Internal Maintenance:

- After turning off the power supply remove the cover and check all connections.
- Clean away any dirt that has deposited inside the hand dryer
- Remove the Air inlet cover and remove the filter, clean the filter with a vacuum and replace the filter in the housing.
- It is recommended to change the filter every 6 - 12 months depending on usage



Method of Operation:



Troubleshooting:

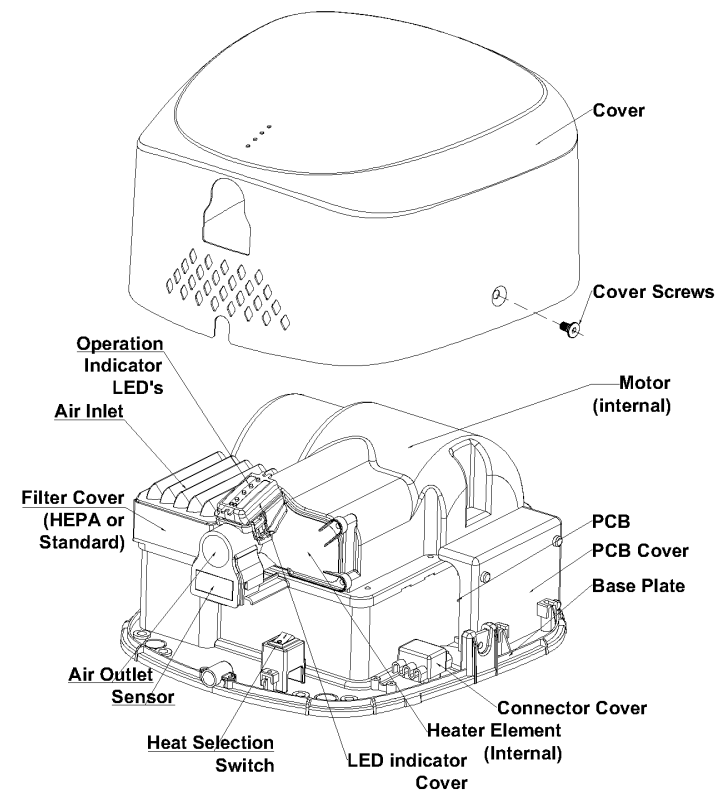
With regular care and maintenance the Tiger Eco hand dryers should give many years of usage. However, here are some hand dryer issues that could arise and how to remedy them:

Hand dryer doesn't start when hands are put underneath	If the hand dryer does not start or make any noise the problem could be the sensor. Check to ensure the sensor is clean and check the connections to the PCB. If these do not solve the issue, replace the PCB and Sensor.
The airflow is not getting hot	The Tiger Eco is equipped with a switch to turn the heater on and off; check to see if the element is turned off. If this is not the case, replace the heating element.
The hand dryer starts by itself	The most common cause of self starting is due to incorrect placement of the dryer. Ensure that there is nothing below the hand dryer (At least 450mm space) and check to ensure that there are no reflective surfaces below to accidentally set off the dryer.

Specification

Voltage	220-240v ~AC	Sound Level	70dB(A) @1m
Phase	1Φ	Sensor Range	15-20cm (fixed)
Load	550-1200w	IP Rating	13
Air Speed	70m/s	Size HxWxD (mm)	312x302x172
Heat output	Off/650w	Net Weight	4.1kg

Component Identification



Energy Savings

The ATC Tiger Eco is equipped with a heat selection switch to turn the heating element on and off. In the warmer months of the year it is recommended that the element is turned off to reduce the energy use of the dryer and CO₂ levels generated



This appliance is not intended for use by persons (including children) with reduced physical, sensory or mental capabilities, or lack of experience and knowledge, unless they have been given supervision or instruction concerning use of the appliance by a person responsible for their safety.

Packing List

1x ATC Tiger Eco Hand Dryer	1x Instruction Manual
4x Plastic Wall Plug	1x Allen Key
4x Self tapping screws	