



# ATLAS-MINI LED SLIMLINE FLOODLIGHT



This instruction sheet is relevant to Phoebe LED Atlas-Mini LED Slimline Floodlights with part codes: 12554, 12561, 12578, 12585, 12592, 12608, 12615, 12622

**THANK YOU for buying this PHOEBE LED product.** To help ensure this luminaire gives complete satisfaction please only use it according to the following instructions, and then pass the instructions to the appropriate person for retention and future reference.

## Warning

1. Installation only to be carried out by a qualified electrician
2. Please ensure surface is suitable and capable of holding the lamp weight
3. Do not operate if product is damaged
4. Suitable for use outdoors IP65 rating
5. This product is not suitable for fire rated installations



## Environmental Protection

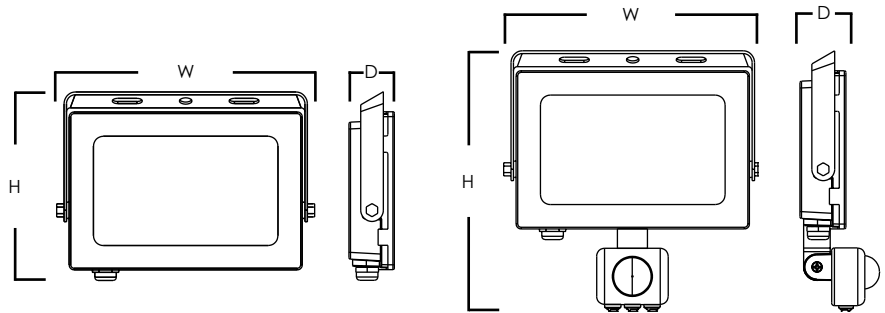
Waste electrical products should not be disposed of with household waste. Please recycle where facilities exist. Check with your Local Authority or retailer for recycling advice.

## Specifications:

Part Codes	PIR sensor fitted	Wattage	Voltage	Power Factor	IP Rating	IK Rating	Beam Angle	Useful Lumens	Total Lumens	Cable	Insulation	Ambient Operating Temp
12554	No	10W		>0.9				900lm	1000lm			
12561	No	20W		>0.9				1800lm	2000lm			
12578	No	30W		>0.9				2700lm	3000lm			
12585	No	50W	240V	>0.9				4500lm	5000lm	VDE H05RN-F		
12592	Yes	10W	50/60Hz	>0.8	IP65	IK08	110°	900lm	1000lm	3G 1.0mm <sup>2</sup>	Class I	-20°C to 40°C
12608	Yes	20W		>0.9				1800lm	2000lm			
12615	Yes	30W		>0.9				2700lm	3000lm			
12622	Yes	50W		>0.9				4500lm	5000lm			

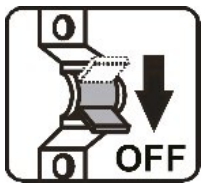
## Dimensions:

Part Codes	Wattage	Width (W)	Height (H)	Depth (D)
12554	10W	132mm	132mm	26mm
12561	20W	165mm	148mm	28mm
12578	30W	200mm	170mm	29mm
12585	50W	250mm	210mm	32mm
12592	10W	132mm	174mm	55mm
12608	20W	165mm	184mm	55mm
12615	30W	200mm	204mm	55mm
12622	50W	250mm	248mm	55mm



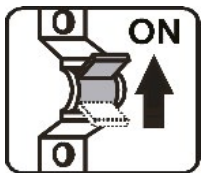
## BEFORE YOU START PLEASE READ ALL THE INSTRUCTIONS CAREFULLY

### PRIOR TO INSTALLATION



Turn power off at the mains

### ONLY ONCE INSTALLATION IS COMPLETE



Turn power back on at the mains

### CIRCUIT TESTING

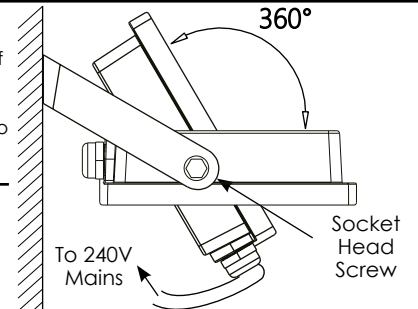
For high voltage circuit insulation testing disconnect mains input supply first  
**(Do not circuit test using a Megger)**

## Fitting:

1. Mark drill points and drill fixing holes and hole for power cable (if required)
2. Align luminaire and fix in place surface using bolts/fixtures suitable for chosen surface, the angled bracket allows access to mounting points without the need to disassemble the fitting

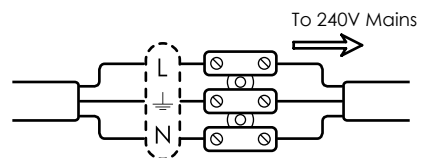
## Angle Adjustment:

1. Angle floodlight to desired angle
2. Tighten socket head screw to prevent unit from moving



## Wiring Instructions:

1. Installation only to be carried out by a qualified electrician
2. 240V mains cable connection should be made with a suitable IP65 junction box
3. Connect power lead to 240V mains electricity in accordance with current wiring regulations

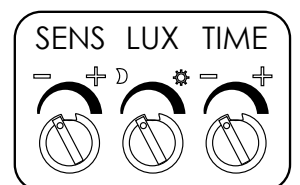


## Operation Instructions (for PIR Sensor Only):

**PIR OVERRIDE:** turn on/off/on to override PIR and keep the light on, turn off for several seconds then on to return to normal PIR operation.

- The monitoring angle is up to 120°
- Depending on the angle of the sensor the monitoring range has a maximum detection distance of 8m
- Lighting time length can be adjusted from 10 seconds (±3 sec) turning clockwise up to 7 minutes (±2 min) after detection
- Dusk-til-Dawn detection can be manually adjusted by turning the LUX dial to allow for light levels/time of year (for daylight sensor testing turn fully to sun position)

Settings are on the Bottom of the PIR



- Sensitivity of the motion sensor can be changed by adjusting the SENS dial effective range 5m to 10m

Images are for information only. Phoebe LED shall not be held liable for improper operation of the luminaire in circumstances where procedures and specifications have not been followed correctly. 2022

**Tel:** +44 (0)1274 657 088 **Fax:** +44 (0)1274 657 087 **Web:** www.cromptonlamps.com