



Installation Instructions

Luminaire Code(s) – **AGLED/WL**

General Installation Instructions

These instructions should be read carefully prior to any installation and retained after completion for further reference and maintenance. Please give these instructions to the building owner/occupier after installation.

Important Safety

1. Before installation, maintenance or lamp replacement, ensure that the mains supply to the luminaire is switched off and the circuit supply fuses are removed or the circuit breaker is turned off.
2. It is recommended that only a qualified electrical contractor carries out the installation of this luminaire and that the luminaire is installed in compliance with the current edition of the IEE Wiring Regulations.
3. The person carrying out the installation is to check and verify that the total load on the circuit, including that of this luminaire does not exceed the rating of the circuit cable, fuse or circuit breaker.
4. Where a luminaire incorporates discharge control gear (inductive load), the circuit capacity and ratings require careful sizing to avoid nuisance tripping of the protective device used in the installation.
5. Where applicable, careful consideration should be taken during installation to ensure that all fixings and/or suspensions are of a suitable size for the luminaire being installed.

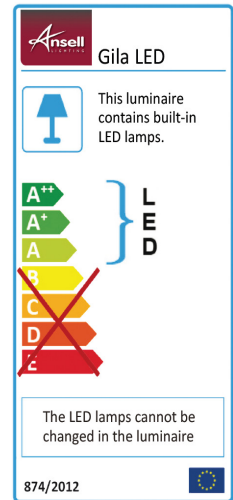
Ratings

1. All luminaires are manufactured & tested in compliance with the requirement contained within BS EN 60598 and are CE marked.
2. All luminaires that are of Class 1 construction and that are marked accordingly, MUST be earthed.
3. All luminaires are designed to operate at 230Volts AC -6%/+10% = 216Volts to 252Volts. Do not operate outside these voltages.
4. All luminaires are only suitable for applications within their rated Ingress Protection limits as stated.

Exclusions to Warranty

Please Note - The limited warranty shall be null and void in the following circumstances:-

Failure by the installer, end user or any third party to exercise caution to protect any covered product or part from outside damage, adverse temperature (normal operating ambient temperature 0 - 25°C), humidity conditions, fluctuations in the electrical system or physical abuse as well as failure related to workmanship in the installation of the products or parts.



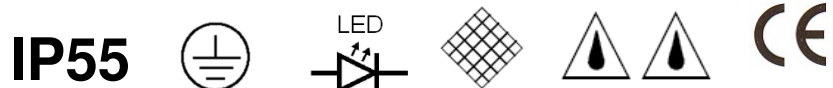
Installation

- Remove the back plate from the rear of the luminaire by removing the four fixing screws situated at the front of the luminaire.
- Feed supply cable through cable entry gland.
- Terminate the supply cable to the supplied HO5RN-F cable, checking that all seals / glands are fitted correctly and have adequate compression. Ensure correct polarity is observed.
- It is the installer's responsibility to provide adequate electrical connections to maintain the correct IP rating for the installed environment. This is in accordance to BS EN 7671. See Fig 1.
- Please see below for electrical connections.

Electrical Connections

Connect as follows:-	LIVE	(L)	BROWN OR RED (switched)
	EARTH		GREEN / YELLOW
	NEUTRAL	(N)	BLUE OR BLACK

- Fix the back plate to a suitable solid surface into the desired position using fixing (supplied). See Fig 2.
- Re-fit the luminaire onto the back plate. See Fig 3.
- Place the housing over the back plate and replace the four fixing screws See Fig 4.
- Restore power supply, switch on and test for satisfactory operation.



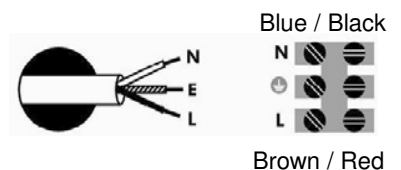
Maintenance:

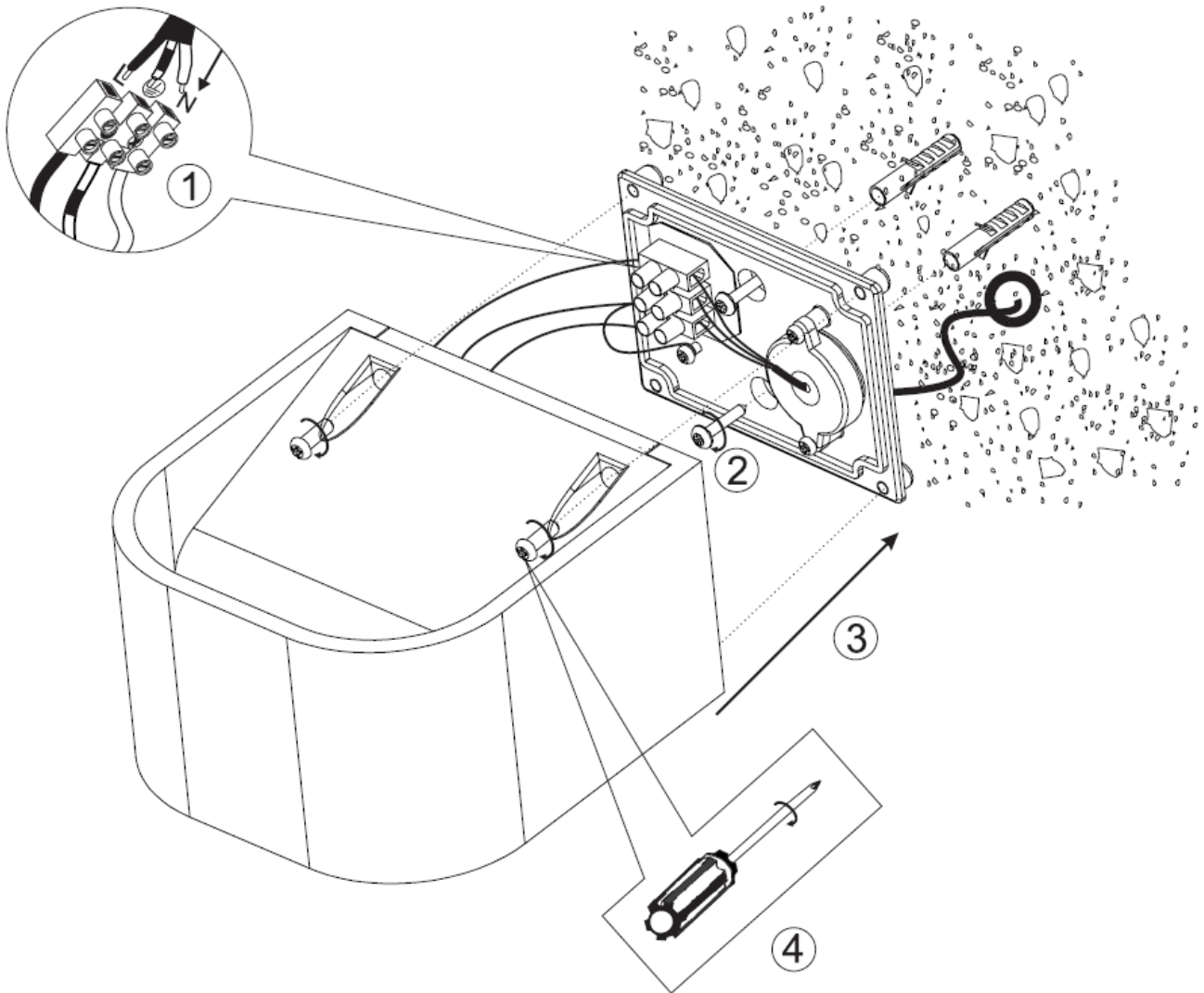
1. This luminaire contains no serviceable parts.
2. If replacing the LED Driver, please ensure the driver has a secondary output is 500mA constant current with a power rating of 12W and maintains the same physical characteristics of the original LED driver.



Disposal of Electronic Equipment WEEE Directive 2002/96/EC

This product falls within the scope of the Waste Electrical & Electronic Equipment Directive (WEEE), which means the product should not be disposed of as normal household waste. Ensure that this luminaire and lamp is disposed of in accordance with the WEEE Directive. Contact a local Council Waste Dept. Local Amenity Site, or the Environment Agency for further information. **RoHS** - All components and materials used in this product are **RoHS** 2002/95/EC compliant.





Maintenance:

1. This luminaire contains no serviceable parts.
2. If replacing the LED Driver, please ensure the driver has a secondary output is 500mA constant current with a power rating of 12W and maintains the same physical characteristics of the original LED driver.



Disposal of Electronic Equipment WEEE Directive 2002/96/EC

This product falls within the scope of the Waste Electrical & Electronic Equipment Directive (WEEE), which means the product should not be disposed of as normal household waste. Ensure that this luminaire and lamp is disposed of in accordance with the WEEE Directive. Contact a local Council Waste Dept. Local Amenity Site, or the Environment Agency for further information. **RoHS** - All components and materials used in this product are **RoHS** 2002/95/EC compliant.

