

JC010026/BN

Fireguard Next Generation

Accessories

Fireguard Next Generation Mains Twist and Lock Tilt Bezel Only Brushed Nickel



Features & Benefits

- Slim profile, die-cast aluminium bezels
- Designed specifically for use with Fireguard Next Generation Cans with LED lamps
- IP20/IP65 and IP20 tilt options
- 2 year standard warranty (See Website for terms and conditions)

Fireguard

NEXT GENERATION

General Information

Trade Name	Fireguard®
Product Group	LED - Replacement Bezel
Color Finish	Brushed nickel
Product Range	Fireguard® Next Generation
Overall Dimensions	Ø100 x 4.5mm
Height (mm)	4.5
Diameter (mm)	100
Product Weight(kg)	0.0724
IP Rating	IP20
Origin of manufacturer	Made In China
Warranty	2 year standard warranty (See Website for terms and conditions)
Lighting Product Type 1	Accessory
Customs Tariff code**	9405990090

Construction

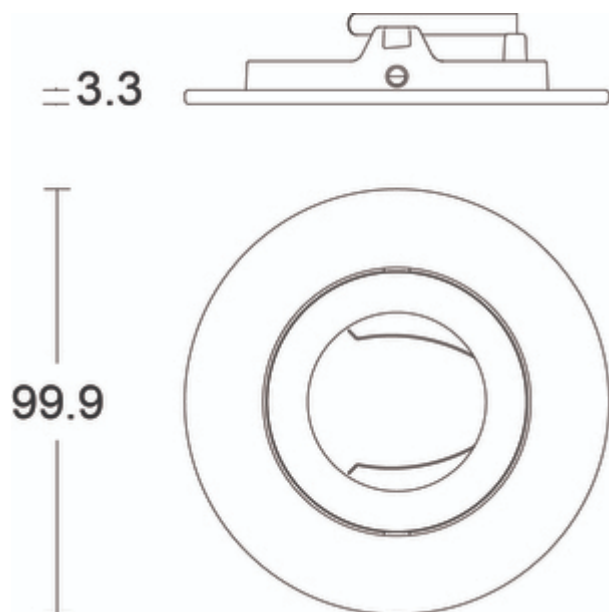
Rim Or Attachment	Die-cast Aluminium
-------------------	---------------------------

Packaging

Quantity Per Outer Carton	200
Outer carton(L)- cm	58
Outer carton(W)- cm	38
Outer carton(H)- cm	23
Outer carton Net weight- kg	16.88
Outer carton Gross weight- kg	16.08
Product Bar Code EAN-13 Number	5052544105951
Outer carton Bar Code ITF-14 Number	15052544105958

Standards & Approvals

Manufactured In Accordance To	BS EN 60598:2015, 2-1
CE Marked	Yes
UKCA Marked	Yes
Date code/Purchase order No.	Yes
Certificate Of Conformity	Available on request
Accredited Members	LIA, ISO9001-2015, ISO14001-2015



**JCC Lighting Limited makes every effort to ensure that the Customs Tariff information in this document is timely and accurate. However, it's not possible for us to assure the absolute veracity and completeness of that information, as errors may occur. The placement of any inaccurate tariff information is completely unintentional. JCC Lighting Limited reserves the right, in its sole discretion, to correct any errors or omissions to the tariff code and to make any and all changes contained in this document at any time and without notice. It is the sole responsibility of the importer to ensure that the commodity code advised is correct for the products/goods being supplied by JCC Lighting Limited. JCC Lighting Limited does not assume any liabilities, losses, costs, and expenses arising out of or related to the importers use of this commodity code or the information related to the import of any JCC Lighting products.

JCC Lighting LTD, Lux Park, Chichester Business Park, City Fields Way, Tangmere, Chichester, West Sussex, PO20 2FT.
 Sales: 01243 838999 (8am to 5pm Monday to Friday) Fax: 01243 838998 | sales@jcc.co.uk | www.jcc.co.uk
 Company Registration Number: 03044848 | VAT Number: 918544112