



FIXED TEMPERATURE DETECTOR  
 TYPE **FHD-2**  
 INSTALLATION MANUAL 18020610



**ATTENTION:** This manual is subject to change without notice!  
 Read carefully this installation instructions before installing the device!

**GENERAL DESCRIPTION:**

The detector **FHD-2** is compatible with any conventional Fire Panel with low fire alarm threshold between 10mA and 15mA.

The fixed temperature fire detector **FHD-2** is used with fire base B24RD - Standard base with Schottky diode and increased alarm state current.

**INSTALLATION**

1. Choose the proper place for installation of the fire detector. Refer to the given installation instructions.

**Note:** Do not install the detector near to natural heat sources, e.g. above cookers, ovens or fire places.

2. If you want to "lock" the detector to the base remove the little "tooth" (with the triangle shape) and break the plastic key off the base. Keep the plastic key in safe place to be able to open the detector later.

3. Mount the fire base on the ceiling of the protected premises using fixings according the mounting surface.

4. Connect the detector base to the fire panel using the wiring diagram.

**ATTENTION:** Disconnect the line power before installing the detector!

5. Insert the detector into the base and rotate clockwise until it drops into place. Continue to rotate the detector until it locks to the base - a click is heard.

6. If the detector has been locked to the base, when open it for a service schedule maintenance and cleaning you have to use the plastic key. Light press with the plastic key into the base opening and at the same time rotate the detector head counter-clockwise.

**ATTENTION:** In case of removing the detector's PCB for service maintenance, when mounting it back, you have to observe the color dot - find the color dot sticker on the PCB and orientate it to the mark on the plastic body (visible from the outside). The hole next to the color dot have to coincide with the pin on the plastic body. Gently press downwards to fix the PCB in place.

**TESTING THE DETECTOR**

1. Apply power to the detector.

2. Wait for 30 sec.

3. Apply the heat tester (*Cordless Heat Detector Tester or Heat Tester 110V>240V*) at a distance 20cm to test the heat part of the detector. Within 8 sec the fire detector will enter in fire condition. Both LEDs will light up.

4. Power off the detector for 2sec minimum. After resetting the detector will enter in duty mode and the LEDs will light off.

**SERVICE MAINTENANCE**

1. Inspection for visible physical damage - weekly.

2. Operational test in real conditions - monthly.

3. Check and clean dust contamination - six months.

4. Check and clean base and head contacts and connections - annually.

**TECHNICAL SPECIFICATIONS**

Operating Voltage Range . . . . . 9 - 30 VDC (Nom. 12/24VDC)

Average current consumption in quiescent state . . . < 50µA

Alarm state current:

- with base type B24RD . . . . . 33mA/12V;  
 49mA/24V;  
 57mA/30V

Class (in accordance with EN54-5) . . . . . A2/S

Protected area (in accordance with EN54-5) . . . . . up 35m<sup>2</sup> / 35m<sup>2</sup>

Installation height (in accordance with EN54-5) . . . . . up 3,5m / 3,5m

Output in alarm state at terminal RI . . . . . 20mA (max)/ -3.3V  
 (Towards terminals +IN /+OUT/)

Degree of protection . . . . . IP30

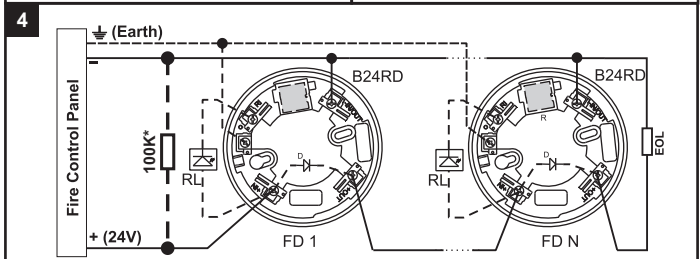
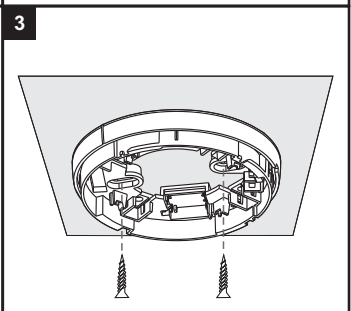
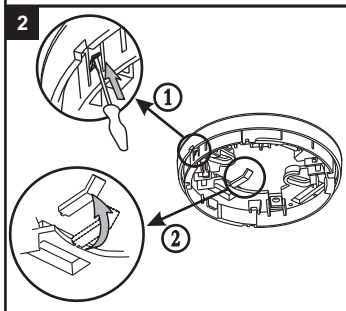
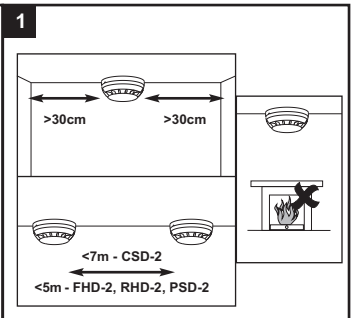
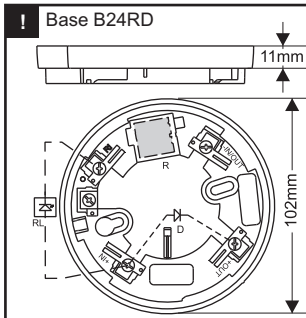
Wire Gauge for terminals . . . . . 0.4mm<sup>2</sup> ÷ 2.0mm<sup>2</sup>

Operational temperature range. . . . . -10°C ÷ +60°C

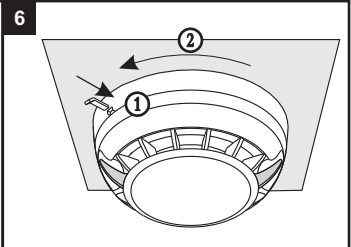
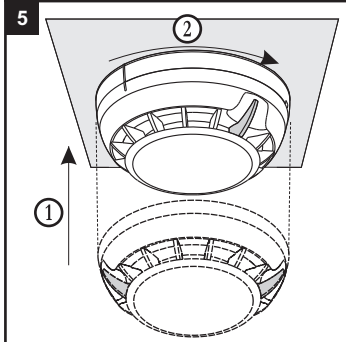
Relative humidity resistance. . . . . (93 ± 3)% @ 40°C

Dimensions (incl. base) . . . . . ø102mm, h 42mm

Weight (incl. base) . . . . . 160g



**\*ATTENTION: When the EOL-module is only a capacitor, IT IS OBLIGATORY TO CONNECT a 100K resistor in parallel at the beginning of the line!**



**LED Indication**

Blinking	○ → 8 sec → ☀	<b>OK</b>
Light on	☀ → ☀	🔥
Light off	○ → ○	🔧

