

IS 2300 ECO

black
 EAN 4007841 034726
 Article number 034726



infrared sensor
300°



max. 12 m

2000 W

2000 W max. (LED-ready)



IP54



Sensor 80°
horizontal



2 - 2000 lux



10 sec - 15 min



Ideal 2 m



energy saving

5 years

manufacturer's warranty steinel-professional.de/garantie

Function description

One for every corner. Infrared motion detector IS 2300 ECO, for indoors and out, ideal for corner situations, irregular shaped spaces, corridors, installation height 2 m, 300° angle of coverage, max. reach 12 m (tangential), selectable time and twilight threshold, turning sensor head (80°) for precision targeting. Corner mount included in the scope of delivery and suitable for mounting on an outside corner.

Technical specifications

Dimensions (L x W x H)	85 x 60 x 95 mm	LED lamps < 2 W	16 W
Manufacturer's Warranty	5 years	LED lamps > 2 W < 8 W	64 W
Settings via	Potentiometers	LED lamps > 8 W	64 W
With remote control	No	Capacitive load in µF	176 µF
Version	black	Sensor Technology	Passive infrared
PU1, EAN	4007841034726	Mounting height	1,80 – 4,00 m
Type	Motion detectors	Mounting height max.	4,00 m
Application, place	Indoors	Optimum mounting height	2 m
Application, room	outdoors, front door, all round the building, terrace / balcony, courtyard & driveway	Detection angle	300 °
Colour	black	Angle of aperture	180 °
Colour, RAL	9005	Sneak-by guard	Yes
Includes corner wall mount	Yes	Capability of masking out individual segments	Yes
Installation site	wall, corner	Electronic scalability	No
Installation	Surface wiring, Wall, corner	Mechanical scalability	No
IP-rating	IP54	Reach, tangential	r = 12 m (377 m ²)
		Switching zones	456 switching zones

IS 2300 ECO

black
EAN 4007841 034726
Article number 034726



Technical specifications

Ambient temperature	-20 – 50 °C
Material	Plastic
Mains power supply	230 – 240 V / 50 Hz
Switching output 1, resistive	2000 W
Fluorescent lamps, electronic ballast	1000 W
Fluorescent lamps, uncorrected	1000 VA
Fluorescent lamps, series-corrected	1000 VA
Fluorescent lamps, parallel-corrected	1000 VA
Switching output 1, low-voltage halogen lamps	2000 VA

Twilight setting	2 – 2000 lx
Time setting	10 s – 15 Min.
Basic light level function	No
Main light adjustable	No
Twilight setting TEACH	No
Constant-lighting control	No
Interconnection	No

Accessories

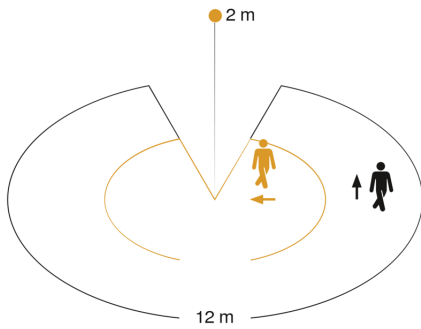
EAN 4007841 630119

Corner wall mount 01

IS 2300 ECO

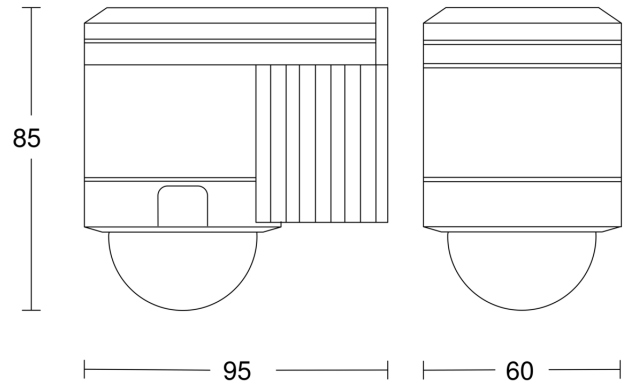
black
 EAN 4007841 034726
 Article number 034726

Detection Zone

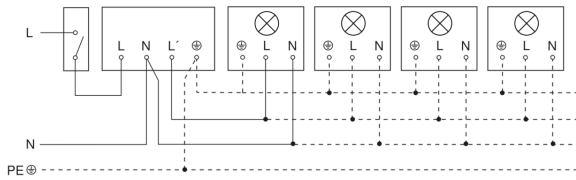


Mögliche Montagehöhe: 1,80 m – 4,00 m
 Orange: radial
 Schwarz: tangential

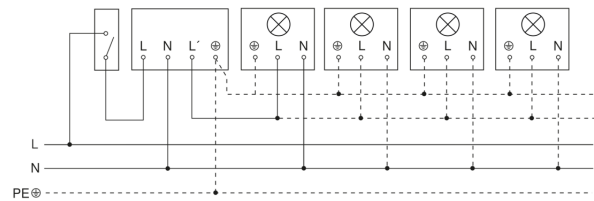
Dimension Drawing



Light without neutral conductor



Light with neutral conductor



Connection using two-circuit switch for manual and automatic operation



Circuit diagram Connection via a changeover switch for continuous and automatic operation

