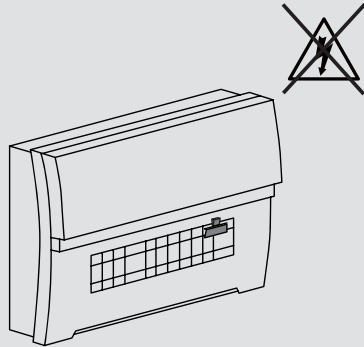
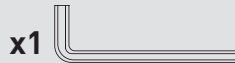


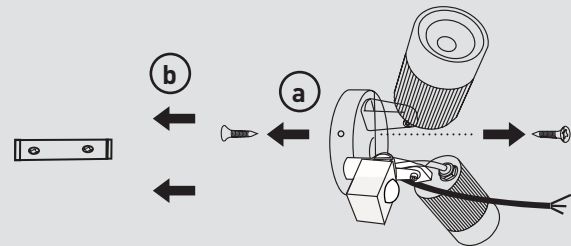
EXTERIOR DECORATIVE INTEGRATED LED ADJUSTABLE TWIN WALL LIGHT WITH PIR



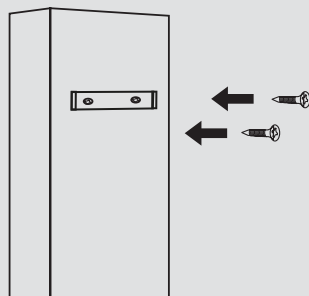
1 ACCESSORIES:



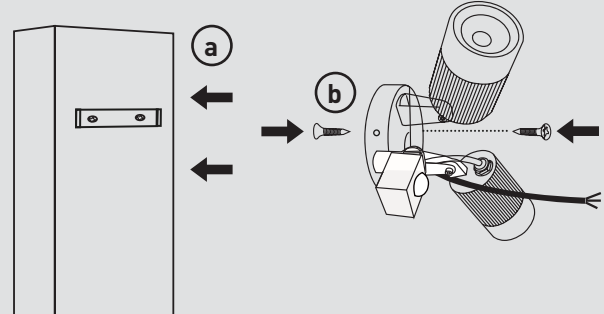
2



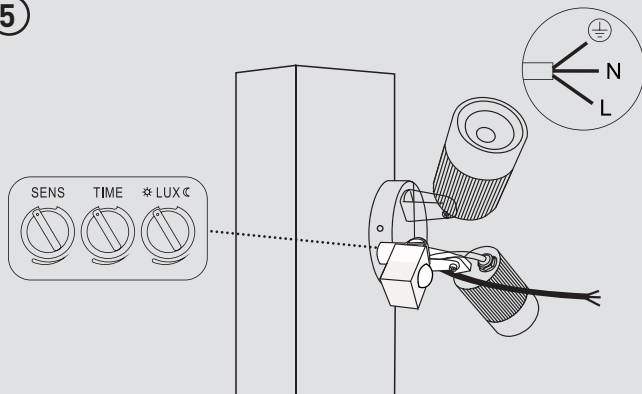
3



4

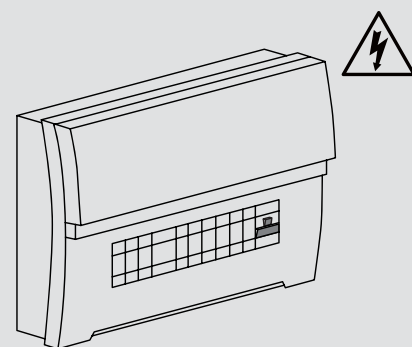


5



Brown - (L), Blue - (N), Green/Yellow -

6



Tech Help Line

UK - 0330 0249 279

Non UK - +44 (0)1952 238 100

Supplied by LUCECO

Stafford Park 1, Telford, Shropshire,
England, TF3 3BD

Kontakt

UK - 0330 0249 279

Non UK - +49 40 89066 878 - 29

Geliefert von Luceco GmbH

Holstenplatz 20b,
22765 Hamburg DEUTSCHLAND

Support Technique

UK - 0330 0249 279

Non UK - +33 (0)1 61 10 10 35

Notice fournie par

Luceco SAS France & Belux 3
Rue de Courtatin, Magny Le Hongre 77700
FRANCE & BELUX

Servicio de asistencia telefónica

UK - 0330 0249 279

Non UK - +34 93 576 83 21

Facilitado por BG Electrical Ltd
Liessamins, 6, 08338,
Premia de Dalt Barcelona, Spain

Assistenza tecnica telefonica

UK - 0330 0249 279

Non UK - +39 0434 1696795

Fornito da BG Electrical Ltd Nexus
Italia, Via Amman 10 33170
Pordenone, Italy