



Available finish:- Black

Read these instructions before commencing installation & retain them for future reference.

IP44 **240V 10W**

Important Information

It is recommended that luminaires are installed by a qualified electrician. The installation of this product must comply with the current edition of the IEE wiring regulations BS7671.

These products are designed for connection to a 240V 50Hz supply. Any damaged parts should be replaced as soon as possible. KSR will not accept responsibility for any claims arising from a poor installation.

Important User Advice

Always switch off mains supply before installation or servicing. KSR recommends a maintenance schedule of washing down with soapy water (no abrasive cleaners) and greasing all screws every 3 months.

Installation Details

- Remove and retain the 2 screws holding the back plate to the wall light (located top and bottom of the fitting).
- Remove the single screw and retain to the cable housing.
- Fix the plastic back plate to wall using suitable fixings for the substrate ensuring that it is installed with the arrow pointing up.
- Connect the supply to the terminal block: Brown (Live) and Blue (Neutral) as per Fig.1.
- Refit the cable housing.
- Attach the wall light to the plastic plate using the 2 screws you retained earlier.
- Switch on supply, test and adjust PIR.

Fig. 1

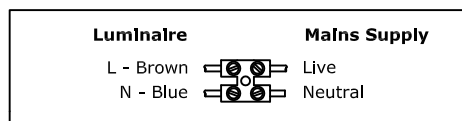
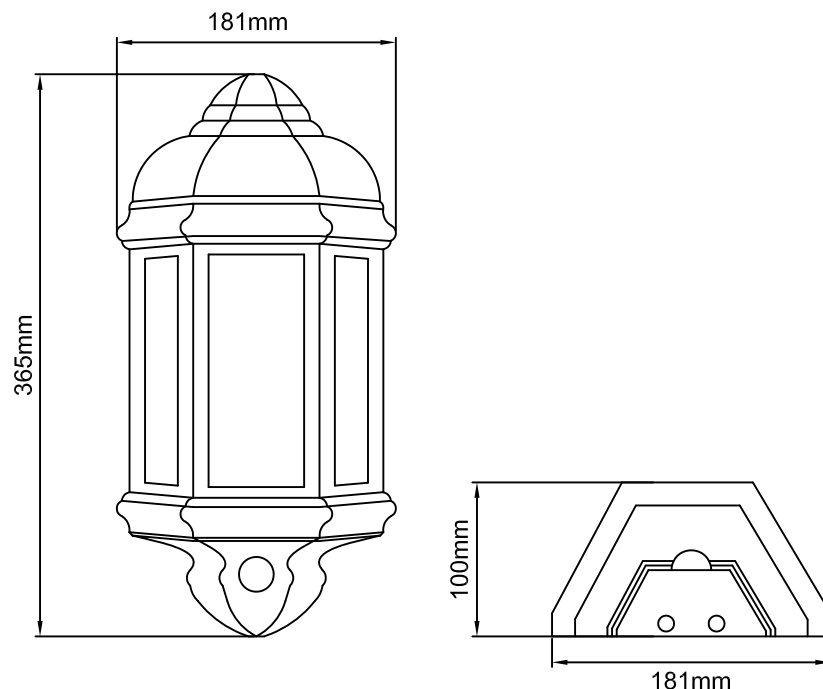
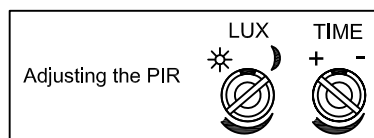


Fig. 2



KSR1152

Lamp/PIR Details

- Light Source: Dedicated LED
- Wattage: 10W
- Lumen Output: 400 Lumens
- CRI: 82
- Colour: 4000K
- Detection Angle: 130°
- Time Adjustment: Min. 5 seconds ~ 5 Minutes Max.
- Lux Adjustment: Min: 5 lux ~ 2000 lux Max.
- Detection Range: 0-12m



Product Information

KSR Lighting Aftersales: 023 92 674343
E-mail: info@ksr-lighting.co.uk