

Read these instructions before commencing installation & retain them for future reference.

IP44    240V 60W Max

This fitting is Class II: Double insulated, No Earth required.

Important Information

It is recommended that luminaires are installed by a qualified electrician ensuring the installation complies to current IEE wiring regulations & local building control.

These products are designed for connection to a 240V 50Hz supply. Any broken or damaged parts should be replaced as soon as possible. KSR will not accept responsibility for any claims arising from a poor installation.

Important User Advice

Always switch off mains supply before servicing, fitting or replacing lamps. Always check the lamp is correct for the application, including its voltage and wattage.

Never exceed the maximum Wattage. Ensure the lamp is correctly located in the lampholder.

Installation Procedure

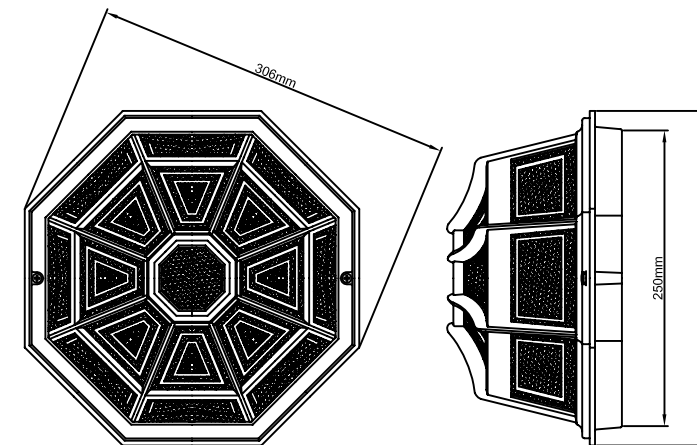
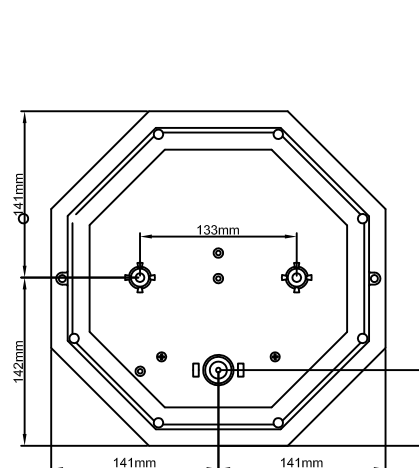
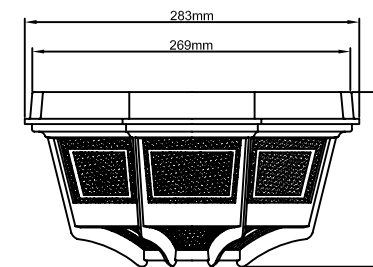
KSR recommends that you familiarise yourself with the installation. Once you are completely satisfied: Locate the area's suitable to install these luminaires (wall or ceiling mounted).

Remove the two screws securing the diffuser to the base. Remove the threaded bolt holding the reflector and the screw holding the cover on the base of the lampholder. Route the supply cable through the rubber grommet in the base and fix base in position using suitable fixings. Replace the reflector. Terminate the wiring in the base using the terminal connector block (Brown - Live, Blue - Neutral). Re-fit the lampholder base cover. Install suitable lamp into lampholder. Re-install diffuser, turn on the mains supply to test the luminaire. Never touch a hot lamp.

PLEASE NOTE: If using this luminaire with an external PIR and a low energy lamp please consult the lamp manufacture to make sure the lamp is suitable for PIR switching.



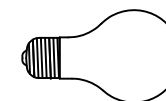
Available Finish: Black



KSR3260

Lamp Details

Lamp Cap: E27
Wattage: 60W (max)



KSR Lighting recommend only branded lamps
For example: Sylvania, GE, Phillips or Osram



KSR Lighting Aftersales: 023 92 674343
E-mail: info@ksr-lighting.co.uk