



Read these instructions before commencing installation & retain them for future reference.

IP65 240V 7W

**Important Information**

It is recommended that luminaires are installed by a qualified electrician. The installation of this product must comply with the current edition of the IEE wiring regulations BS7671.

These products are designed for connection to a 240V 50Hz supply. Any damaged parts should be replaced as soon as possible. KSR will not accept responsibility for any claims arising from a poor installation.

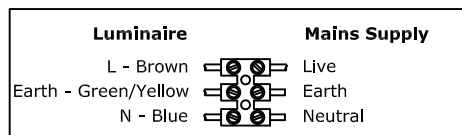
**Important User Advice**

Always switch off mains supply before installation or servicing. KSR recommends a maintenance schedule of washing down with soapy water (no abrasive cleaners) and greasing all screws every 3 months.

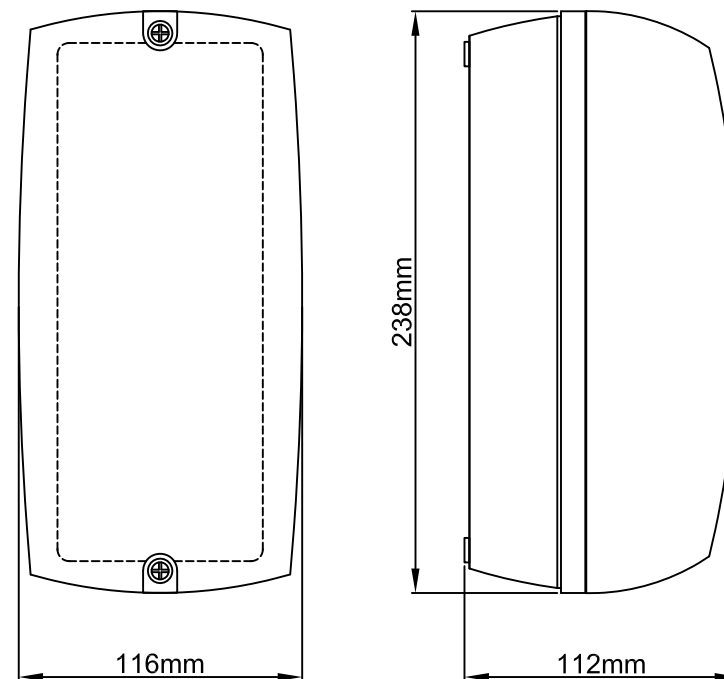
**Installation Details**

Remove and retain the 2 screws holding the diffuser to the base (located top and bottom of the fitting).  
 Loosen the three screws that retain the LED board (2 at the top and 1 accessed through the hole in the LED board. Remove the board by sliding up.  
 Pass the cable through the grommet on the back of the base or you can use the 20mm knock-outs on the top or bottom with a 20mm gland(s) (not supplied).  
 Fix the base to wall or ceiling using suitable fixings for the substrate.  
 Remove the 4 screws from the terminal block cover, connect the supply to the terminal block: Brown (Live) and Blue (Neutral) and Earth (Green/Yellow) as per Fig.1. Refit the terminal block cover.  
 Refit the LED board and tighten the three retaining screws.  
 Refit the diffuser ensuring the seal is intact and not damaged. Do not over tighten the diffuser screws.  
 Switch on supply, test.

Fig. 1



Available finish:- Black with Clear, Opal or Red Diffuser



**KSR1170**

**Lamp/PIR Details**

Light Source: Dedicated LED  
 Wattage: 7W  
 Clear Lumen Output: 517 Lumens  
 Opal Lumen Output: 366 Lumens  
 Red Lumen Output: 70 Lumens  
 Clear CRI: Ra84  
 Opal CRI: Ra85  
 Red CRI: Ra69  
 LED Colour: 4000K

