



Available finish:- Stainless Steel

Read these instructions before commencing installation & retain them for future reference.

IP65 **240V 35w**

These fittings are Class I and must be Earthed

Important Information

It is recommended that luminaires are installed and fitted by a qualified electrician ensuring the installation complies with current IEE wiring regulations & local building control. These products are designed for connection to a 240V 50Hz supply. Any broken or damaged parts should be replaced as soon as possible. KSR will not accept responsibility for any claims arising from a poor installation.

Important User Advice

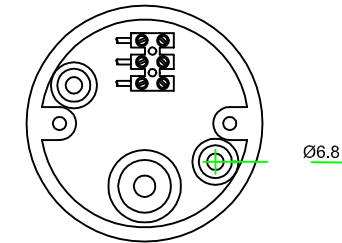
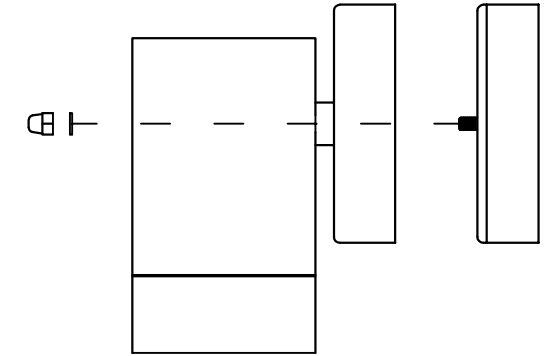
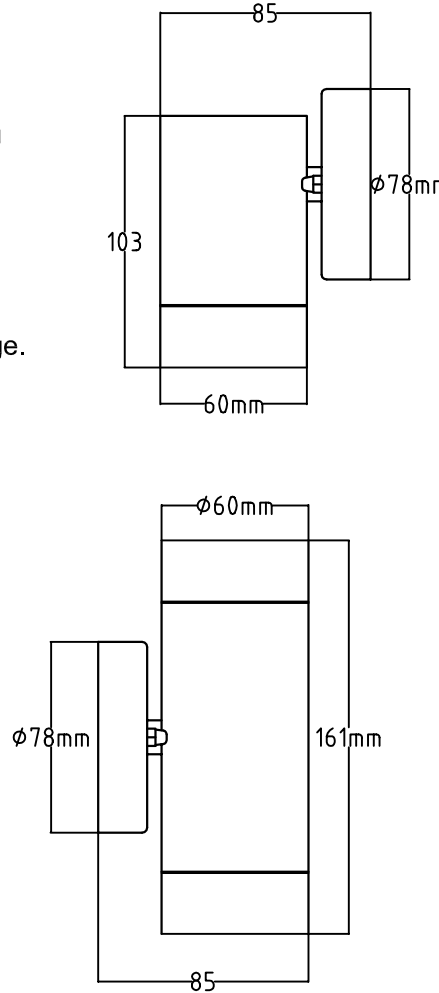
Always switch off mains supply before servicing, fitting or replacing lamps. Always check the lamp is correct for the application, including its voltage and wattage. Ensure the lamp is correctly located in the lampholder.

General Maintenance

General maintenance and cleaning should be performed at least quarterly. Clean product outer using a damp cloth, dried and buffed to a shine. After any maintenance or lamp replacement, remember to check all seals are intact.

Installation Procedure

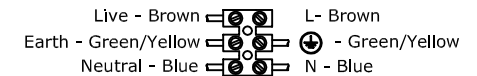
Familiarize yourself with the GU10 fixture, remove the two chrome dome nuts that secure the main fitting to the mounting plate. Set aside the dome nuts and two rubber washers. Offer the base plate up to a suitable surface and mark the two fixing points, ensuring the cable entry is at the bottom of the plate. Once drilled, dress the mains supply cable through the grommet and secure to the wall. Terminate the fixed wiring into the terminal block, following the guide below and/or the markings on the fitting. Ensure the main gasket is seated correctly on the base plate and place the fitting onto it, replace the rubber gaskets onto the exposed threads and finish with the dome nuts. Remove the front bezel by unscrewing anti-clockwise, install your preferred GU10 lamp, replace the front bezel, ensuring the seals are not squeezed out of place. Turn on the power and test the luminaire.



Base Section

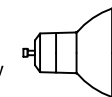
Mains Supply

Luminaire



Lamp Details

Lamp Cap: GU10
Max Wattage: 35w



Suitable for Retrofit LED Lamps



KSR Lighting Aftersales: 023 92 674343
E-mail: info@ksr-lighting.co.uk