



®

Description – Onix LED Streetlight



Installation Instructions

Luminaire Code(s) – **AONIXLED/***

General Installation Instructions

These instructions should be read carefully prior to any installation and retained after completion for further reference and maintenance. Please give these instructions to the building owner/occupier after installation.

Important Safety

1. Before installation or maintenance, ensure that the mains supply to the luminaire is switched off and the circuit supply fuses are removed or the circuit breaker is turned off.
2. It is recommended that only a qualified electrical contractor carries out the installation of this luminaire and that the luminaire is installed in compliance with the current edition of the IEE Wiring Regulations.
3. The person carrying out the installation is to check and verify that the total load on the circuit, including that of this luminaire does not exceed the rating of the circuit cable, fuse or circuit breaker.
4. Where a luminaire incorporates discharge control gear (inductive load), the circuit capacity and ratings require careful sizing to avoid nuisance tripping of the protective device used in the installation.
5. Where applicable, careful consideration should be taken during installation to ensure that all fixings and/or suspensions are of a suitable size for the luminaire being installed.

Ratings

1. All luminaires are manufactured & tested in compliance with the requirement contained within BS EN 60598 and are CE marked.
2. All luminaires that are of Class 1 construction and that are marked accordingly, MUST be earthed.
3. All luminaires are designed to operate at 230Volts AC -6% / +10% = 216Volts to 253Volts. Do not operate outside these voltages.
4. All luminaires are only suitable for applications within their rated Ingress Protection limits as stated.

Exclusions to Warranty

Please Note - The limited warranty shall be null and void in the following circumstances:-

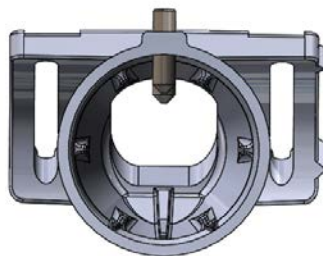
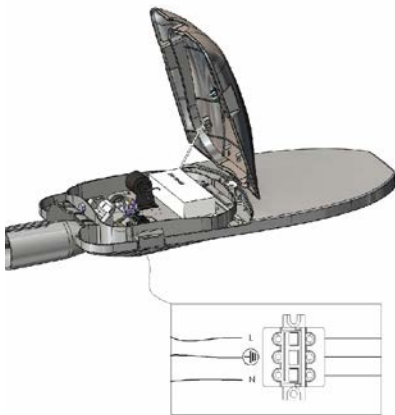
Failure by the installer, end user or any third party to exercise caution to protect any covered product or part from outside damage, adverse temperature, humidity conditions, fluctuations in the electrical system or physical abuse as well as failure related to workmanship in the installation of the products or parts.

Installation

- Maximum height 12M.
- Use at least H05RN-F 3x1.0mm² or specification cable (not supplied) which is an outdoor grade, rubber sheathed cable.
- suitable pole calibre - Φ48-76mm
- Secure luminaire to installed pole and tighten Allen bolts.

Connect as follows:-

LIVE	(L)	BROWN OR RED
NEUTRAL	(N)	BLUE OR BLACK
EARTH		GREEN / YELLOW



- Restore mains supply, switch on and test for satisfactory operation.

Notes:

- Do not cover the device.

IP66

