



®

Description – Colossus LED High Output Floodlight



Installation Instructions

Luminaire Code(s) – **ACOLOED**

General Installation Instructions

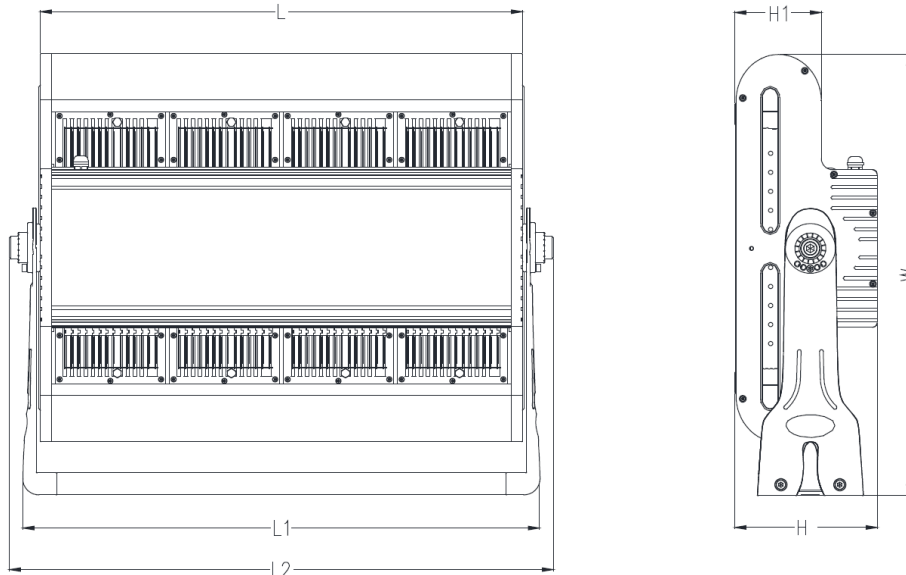
These instructions should be read carefully prior to any installation and retained after completion for further reference and maintenance. Please give these instructions to the building owner/occupier after installation.

Important Safety

1. Before installation, maintenance or lamp replacement, ensure that the mains supply to the luminaire is switched off and the circuit supply fuses are removed or the circuit breaker is turned off.
2. It is recommended that only a qualified electrical contractor carries out the installation of this luminaire and that the luminaire is installed in compliance with the current edition of the IEE Wiring Regulations.
3. The person carrying out the installation is to check and verify that the total load on the circuit, including that of this luminaire does not exceed the rating of the circuit cable, fuse or circuit breaker.
4. Where a luminaire incorporates discharge control gear (inductive load), the circuit capacity and ratings require careful sizing to avoid nuisance tripping of the protective device used in the installation.
5. Where applicable, careful consideration should be taken during installation to ensure that all fixings and/or suspensions are of a suitable size for the luminaire being installed.

Ratings

1. All luminaires are manufactured & tested in compliance with the requirement contained within BS EN 60598 and are CE marked.
2. All luminaires that are of Class 1 construction and that are marked accordingly, **MUST** be earthed.
3. All luminaires are designed to operate at 230Volts AC -6% / +10% = 216Volts to 253Volts. Do not operate outside these voltages.
4. All luminaires are only suitable for applications within their rated Ingress Protection limits as stated.
5. Ambient temperature -40 - 50°C



Model	L	L1	L2	W	H	H1	Weight (kg)
ACOLOED500	368	410	450	603	194	118	16.9
ACOLOED1000	655	702	739	603	194	118	32



®

Installation

- Please note – terminal block not included.
- This luminaire contains no serviceable or replaceable parts.
- The external flexible cable or cord of this luminaire cannot be replaced, if the cord is damaged the luminaire shall be replaced.
- If the glass becomes cracked or broken please ensure that the luminaire is replaced.
- The fitting is suitable for fixing to the wall and to the ceiling.
- Please observe the minimum mounting distance of 5 metres from surfaces being lit.
- The fitting has an earthing connection. The earth wire (green/yellow) has to be secured to the correct location marked ⊕.
- It is the installer's responsibility to ensure all connections and seals provide adequate IP ratings as per BS EN 7671 – 17th Edition Wiring Regulations.
- Adequate clearance must be allowed between any point on the rear of the luminaire & the surface above in order to allow for adequate air circulation.
- Please take care as sections of this luminaire can become very hot when under use.

Parts List:

- 10mm L-shaped bracket: X1
- 5mm L-shaped bracket: X1
- Small plate: X2
- Drill: X1
- Mounting screw: X2
- Support post: X2
- Ø10mm hole: X2

Step 1: Please note: Both lamp -post and screw hole's weight capacity should be at least 5 times the lamp body.

Step 2: Install the small plate to the support seat, Then put the lamp body fixed on the wall and mount screws

Step 3: Rotate the light body to the right Angle, then install the retaining screw

Step 4: Install the safety rope

Wiring Details:

- 1000W: 300mm length, Ø11 hole
- 500W: 200mm length, Ø11 hole
- Wiring colors: (Blue) N, (Yellow-green) ⊕, (Brown) L

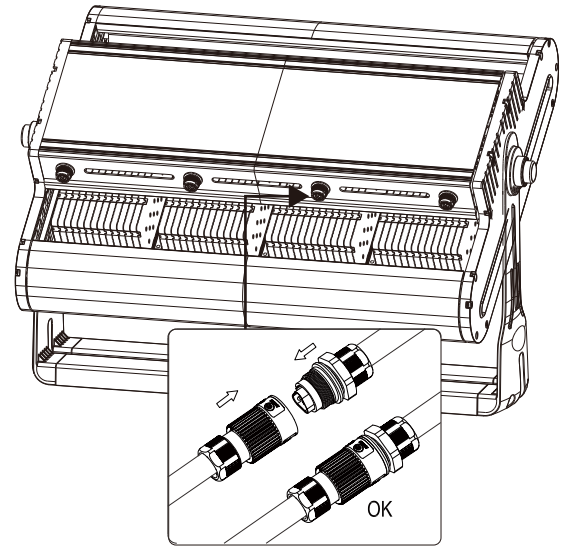
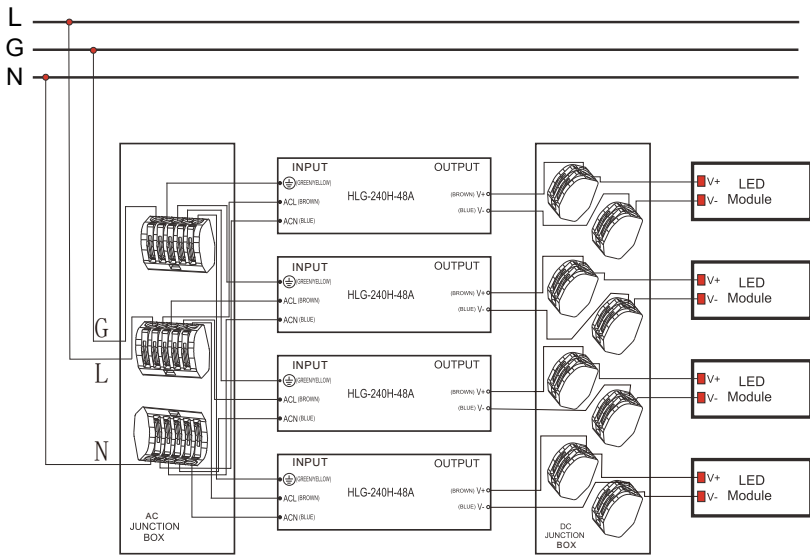
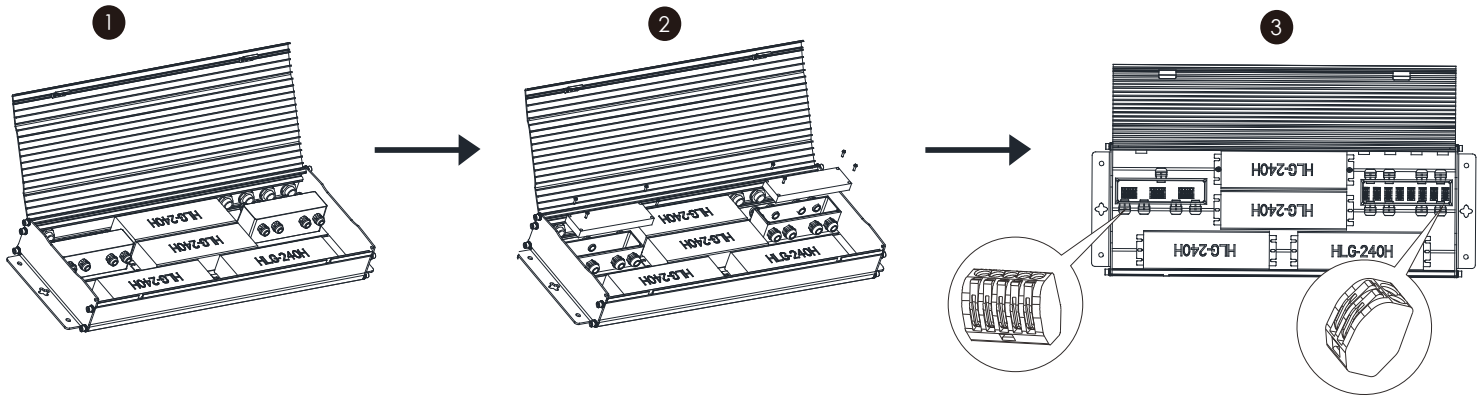
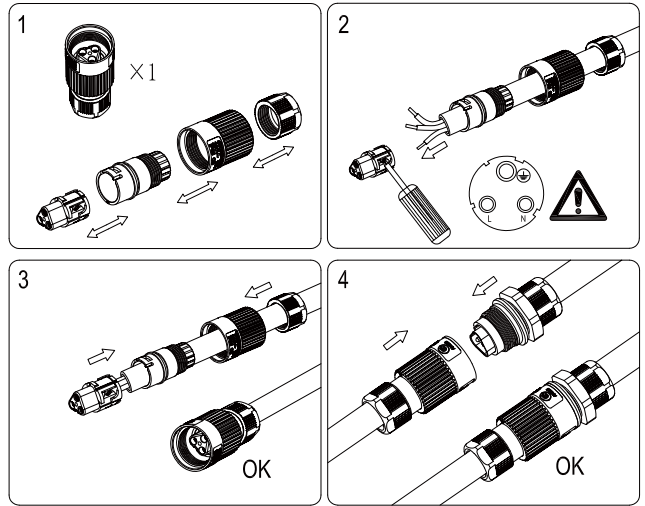


®

Graph of wiring and installation

Corresponding wire length of different wire diameters
(DC end extension wire)

Wire diameter (mm) ²	Please enter the length of the line (m)
1	15
1.5	20
2	30
2.5	35





®

Lighting Installations:

It is suggested that the following information be read when undertaking exterior floodlight installations.

E1	Intrinsically Dark Areas	National Parks, Areas of Outstanding Natural Beauty, etc
E2	Low District Brightness Areas	Rural and Small Village locations
E3	Medium District Brightness Areas	Small Town Centres and Urban Locations
E4	High District Brightness Areas	Town & City Centres with a high level of night-time activity

Where the area to be illuminated is in the vicinity of two categories, then it is suggested to adopt the more restricted option.

Obstructive light Limitations for Exterior Lighting Applications

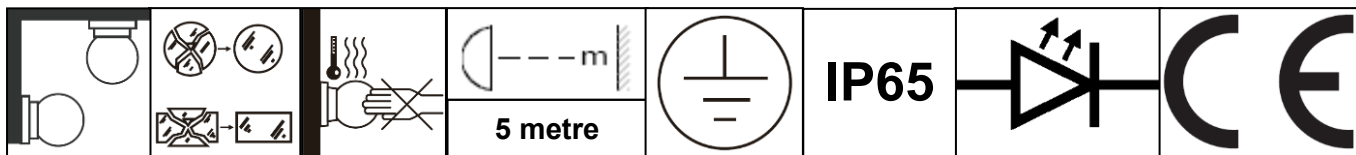
Environmental Zone	Sky Glow ULR (Max. %)	Light into Windows Ev (Lux)		Source Identity		Building Luminance before Curfew	
		Before curfew	After curfew	Before curfew	After curfew	Ave. L (cd/m ²)	Max L (cd/m ²)
E1	0	2	1	0	0	0	0
E2	2.50	5	1	20	0.5	5	10
E3	5.00	10	2	30	1.0	10	60
E4	15.00	25	5	30	2.5	25	150

- ULR** Upward Light Output Ratio of the installation and is the maximum permitted %age of the luminaire flux for the installation
- Ev** Vertical Illuminance in Lux
- I** Light intensity in Candelas
- L** Luminance in Candelas per square metre

1. Light into windows values are suggested maximums and need to also include any existing light at the point of measurement
2. Source Identity applies to each source in the potentially obstructive direction, outside the area of illumination
3. Building Luminance should be limited to avoid over lighting and relate to the general brightness. This relates directly to buildings being illuminated rather than spill light from other lighting installations or fittings mounted on buildings to illuminate other areas.

This information is for guidance purposes only and may be supplemented by any local requirements imposed the local planning department in which the lighting is to be installed. It is recommended that the relevant planning department be contacted prior to the installation taking place.

It is also suggested that the following legislation is also considered prior to the installation of exterior lighting. – Section 102 of the Clean Neighbourhoods and Environment Act 2005 amends Section 79(1) of the Environmental Protection Act 1990 to extend the statutory nuisance regime to include statutory nuisance from artificial lighting: (fb) - “artificial light emitted from a premises so as to be prejudicial to health or a nuisance”.



Disposal of Electronic Equipment WEEE Directive 2002/96/EC
 This product falls within the scope of the Waste Electrical & Electronic Equipment Directive (WEEE), which means the product should not be disposed of as normal household waste. Ensure that this luminaire and lamp is disposed of in accordance with the WEEE Directive. Contact a local Council Waste Dept. Local Amenity Site, or the DTI for further information.
RoHS - All components and materials used in this product are **RoHS** 2002/95/EC compliant.

