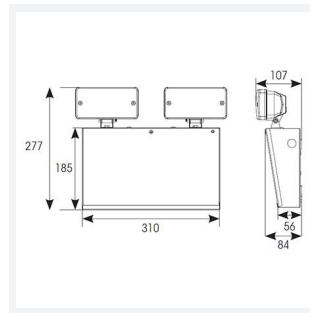




# Twin Spot

Twin Spot Non-Maintained Lithium  
Code: ATWS/1/NM

Category	Emergency
Application	Ancillary, Commercial, Education, Healthcare, Hospitality, Industrial, Retail
Specification	Performance



## PRODUCT FEATURES

- Twin LED emergency floodlighting for industrial applications
- Robust metal enclosure in an opal colour
- LiFePO4 Lithium battery provides enhanced product lifetime
- Moulded polycarbonate heads

GENERAL INFORMATION	
Wattage	2W
Lumens Delivered	440lm
CRI	70
CCT	6500K
Input	220/240V
Operating Temp	0°C - 40°C
SDCM	6

TECHNICAL INFORMATION	
Light Source	LED
Colour / Finish	White
IP Rating	IP20
Class Protection	1
Internal / External	Internal
Surface / Recessed / Suspended	Wall
Lumen Depreciation	L70 60,000h
Warranty (Years)	5
CE Mark	Yes
Height	107 mm

