

QXD

Quartz heater

Controls

Push switches required for automatic control.

Safety Features

No cut-out on-board. Protection via RCD.

Colour/Finish

Powder coated steel, finished in High Temperature Matt Black.

Element

Ruby sleeved halogen lamp with tungsten element.

Supply

- 3 core for fused spur installation
- 1/N/PE ~230-240V, 50Hz Class I with earth wire

Guarantee

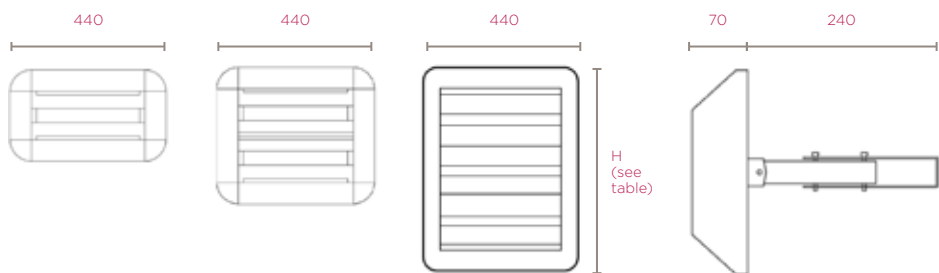
1 year UK manufacturer Guarantee.

IP Rating

IPX0



Product Dimensions



Model	Output (kW)	Number of elements	Height (mm)	Width (mm)	Depth (mm)	Weight (kg)	Recommended Installed Height (m)
QXD1500	1.5	1	256	440	70	3.7	2.5
QXD3000	3.0	2	380	440	70	4.3	3.5
QXD4500	4.5	3	506	440	70	5.8	4.0

QXDE

Quartz heater with remote

Controls

Digitally controlled, accurate electronic thermostat.

Timer Modes: 7 Day Programmable User Timer.

Continuous Heat Modes: Manual, Frost Protect, Runback, Off.

Bluetooth remote supplied with product as a standard.

Controller Functions

- Adaptive start
- Advanced time period for timer operation
- Adjustable max set point range (7-32°C)
- Bluetooth for control

Safety Features

No cut-out on-board. Protection via RCD.

Colour/Finish

Powder coated steel, finished in High Temperature Matt Black.

Element

Ruby sleeved halogen lamp with tungsten element.

Supply

- 1.3 metres fitted, 3 core for fused spur installation
- 1/N/PE ~230-240V, 50Hz Class I with earth wire

Guarantee

2 year UK manufacturer Guarantee.

IP Rating

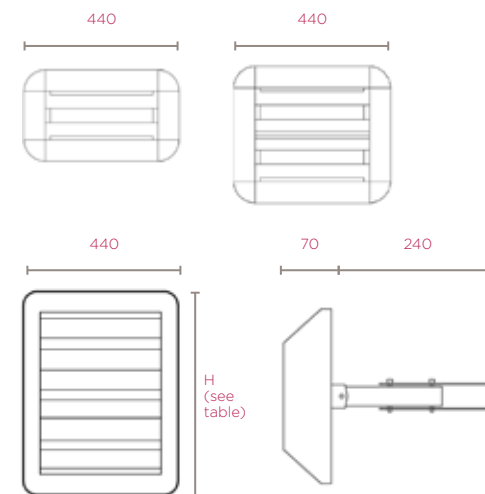
No rating.



Intertek



Product Dimensions



Model	Output (kW)	Number of elements	Height (mm)	Width (mm)	Depth (mm)	Weight (kg)	Recommended Installed Height (m)
QXD1500E	1.5	1	256	440	70	3.7	2.5
QXD3000E	3.0	2	380	440	70	4.3	3.5
QXD4500E	4.5	3	506	440	70	5.8	4.0