

Whole House Heating



Quantum

High heat retention storage heater

Controls

Digitally controlled electronic thermostat accurate to (+/-0.2°C).

Hub RF

Timer Modes: 7 Day Programmable User Timer.

Pre-programmed Timer Modes: Out All Day, Home All Day, Away.

- Graphical display with RGB backlight
- Tactile buttons with audio feedback
- User replaceable battery (coin-type)

Controller Functions

- Open window detection
- Boost mode and settings
- Adjustable max set point range (7-30°C)
- Bluetooth for software updates
- Child lock

Safety Features

Electromechanical overheat protection.

Colour/Finish

Metal Chassis, Air Outlet Grille & Control Moulding - Traffic White (RAL9016).

Storage Core

High-density bonded magnetite energy cells.

Supply

- 1/N/1/N/PE 230-240 (Twin Supply) 230-240V/Hz
- 1/N/PE 230-240 (Single Supply) 230-240V/Hz

Guarantee

2 year UK manufacturer Guarantee with option to extend to 10 years with completed online registration at dimplex.co.uk.

IP Rating

IPX4

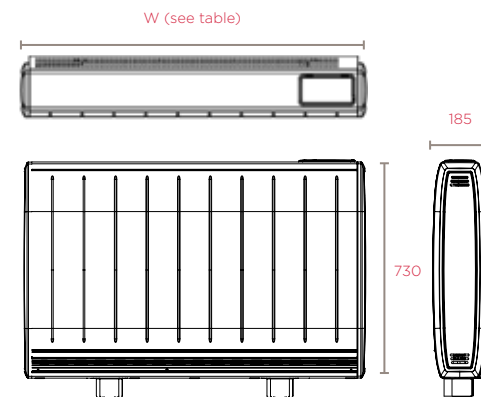


Intertek



Dimplex Control
See page 10 for details

Product Dimensions



Model	Input rating +5%/-10%(W)	Output rating (kW)	Boost mode rating (W)	Height (mm)	Width (mm)	Depth (mm)	Weight (kg)	Installed weight(kg)	Energy pack requirement
QM050RF	1020	0.50	400	730	580	185	27.2	66	4
QM070RF	1560	0.70	630	730	703	185	24.8	83	6
QM100RF	2220	1.00	880	730	865	185	29.4	107	8
QM125RF	2760	1.25	1130	730	1069	185	38	135	10
QM150RF	3300	1.50	1300	730	1069	185	38.6	155	12