



2-conductor lighting connector; Standard version; Continuous service temperature 105°C

Item No.: 224-112



2-conductor lighting connector; Standard version; Continuous service temperature 105°C

Marking

RoHS ✓
Compliant

Business data

| | |
|----------------------|---------------|
| Supplier | WAGO |
| Item no. | 224-112 |
| GTIN / EAN | 4044918583596 |
| Content | 1 |
| Order amount | 100 |
| Customer item number | |

Notes

Technical data

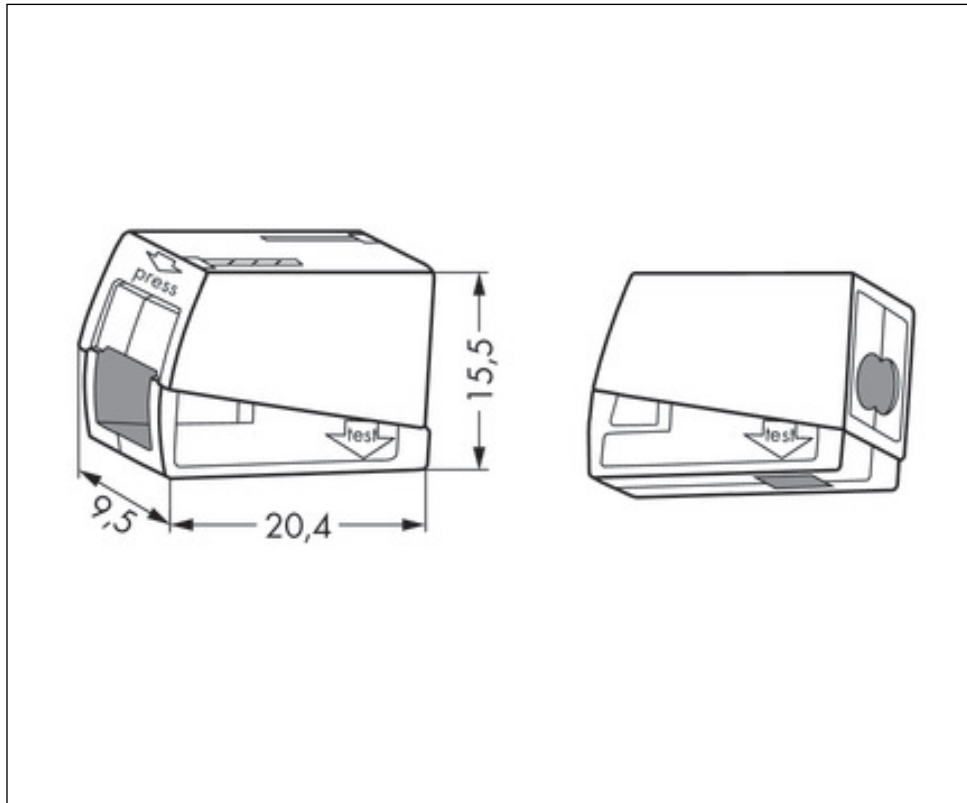
Miscellaneous

| | |
|-------------------------------------|---------|
| No. of poles | 1 |
| Total number of connection points | 3 |
| Total number of potentials | 1 |
| Color | white |
| Rated voltage (II / 2) [V] | 400 [V] |
| Rated impulse voltage (II / 2) [kV] | 4 [kV] |

| Technical data | |
|--|---|
| <i>Rated current [A]</i> | <i>24 [A]</i> |
| <i>Connector (1)</i> | <i>Installation side:</i> |
| <i>Connection technology</i> | <i>PUSH WIRE®</i> |
| <i>Number of connection points connector</i> | <i>2</i> |
| <i>Actuation type</i> | <i>Push-in</i> |
| <i>Connectable conductor materials</i> | <i>Copper</i> |
| <i>Solid conductor</i> | <i>1 ... 2.5 mm² / 14 ... 12 AWG</i> |
| <i>Strip length</i> | <i>9 ... 11 mm / 0.35 ... 0.43 Inch</i> |
| <i>Connector (2)</i> | <i>Lighting side:</i> |
| <i>Connection technology 2</i> | <i>CAGE CLAMP®</i> |
| <i>Number of connection points connector (2)</i> | <i>1</i> |
| <i>Solid conductor (2)</i> | <i>0.5 ... 2.5 mm² / 20 ... 16 AWG</i> |
| <i>Fine-stranded conductor (2)</i> | <i>0.5 ... 2.5 mm² / 20 ... 16 AWG</i> |
| <i>Type of wiring</i> | <i>Side-entry wiring</i> |
| <i>Fire load [MJ]</i> | <i>0.046 [MJ]</i> |
| <i>Weight [g]</i> | <i>2.066 [g]</i> |
| <i>Width</i> | <i>9.5 mm / 0.374 Inch</i> |
| <i>Height</i> | <i>15.5 mm / 0.61 Inch</i> |
| <i>Depth</i> | <i>20.5 mm / 0.807 Inch</i> |
| <i>Safety information 1</i> | <i>In grounded power lines</i> |

Images & drawings





Address

WAGO Kontakttechnik GmbH & Co. KG

Hansastr. 27

32423 Minden

Telefon: 0571/887-0

Fax: 0571/887-169

<http://www.wago.com>

© WAGO Kontakttechnik GmbH & Co. KG

Technische Änderungen und Irrtümer vorbehalten.