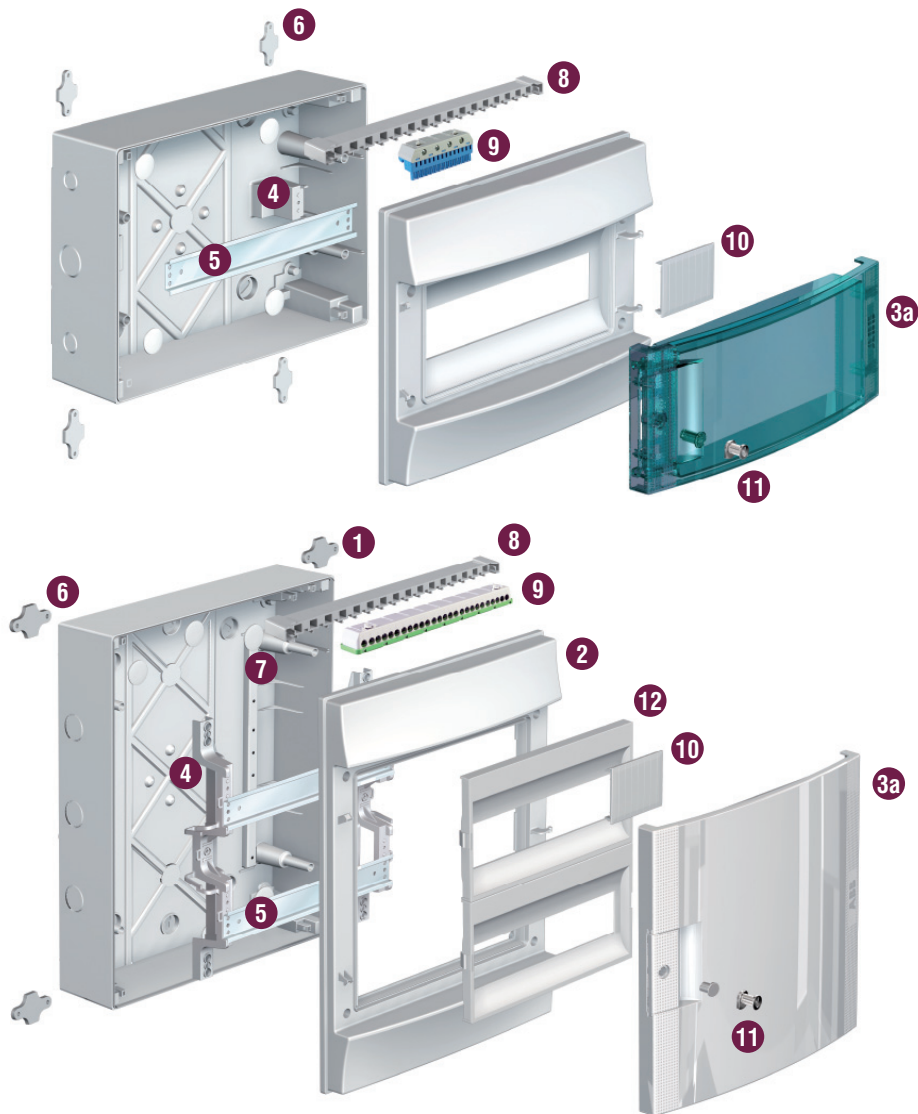
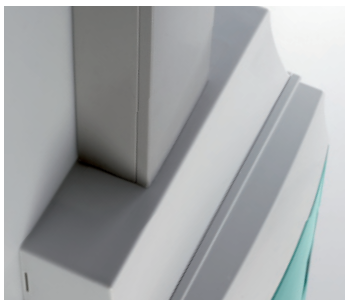


Mistral 65

Double insulated enclosures



- | | |
|---|--|
| <ul style="list-style-type: none"> 1. Box for wall mounting 2. Reversible front panel 3. a) Transparent door b) Opaque door RAL7035 4. Fixed support for DIN rail | <ul style="list-style-type: none"> 5. DIN rail 6. Wall brackets 7. Plugs, protection class II 8. Jumper for terminals 9. Quick coupling terminals |
|---|--|



Protected trunking entry

The new polycarbonate accessory for trunking entry can be positioned at the top or bottom of the consumer unit, connecting and protecting the conductor bundles. A series of internal knockouts allows it to house any type of trunking.



Aesthetically clean installation

Interior slots allow the unit to be fixed to the wall at points that cannot be seen from the outside, making for an aesthetically clean installation. Special snap-in closure plugs guarantee class II protection (double insulation).



Optional door lock

The standard door with ergonomic handle, key lock on request. This ensures only authorised people have access and prevents tampering or incorrect operation.



Variable distance between DIN rails

To create space at the top or bottom of the consumer unit, the central distance between the DIN rails can be modified from the standard 150 mm to 125 mm. The front panel can be removed, reversed and reinstalled with a simple click.