

DATASHEET

DENALI

Denali 15W LED IP65 Ali Bulkhead 840

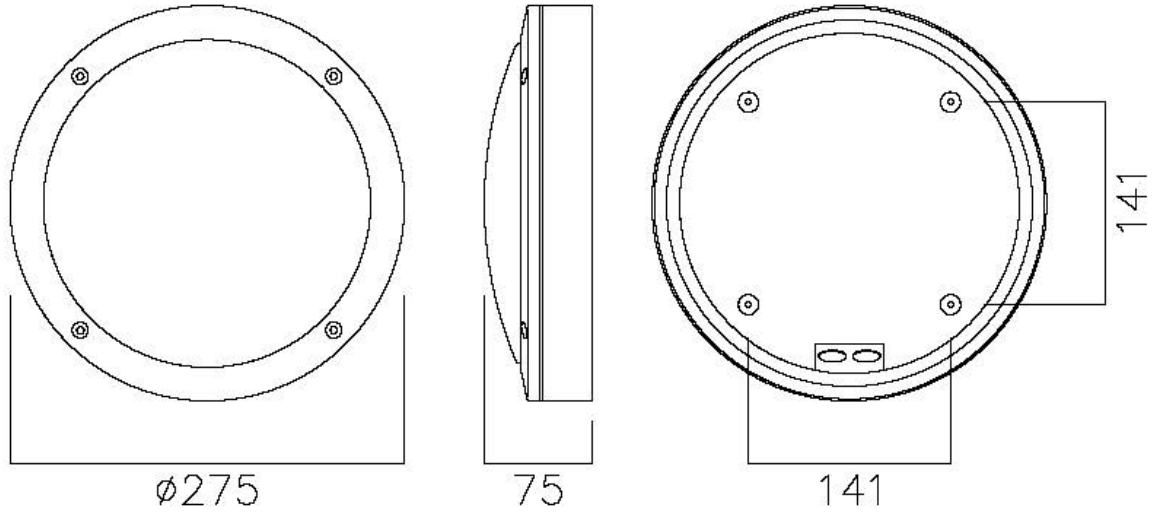
IP65 Surface Fitting
 Die Cast Aluminium Body Construction
 Mains Connection Block for Loop in / Loop out



GENERAL INFORMATION	
Product Code	NDE15/840
Product Range	Amenity
Product Category	Amenity
IP Rating	65
IK Rating	IK10
Warranty	7 Years
DIMENSION/WEIGHT	
Dimensions Circular (DIA x H) (mm)	DIA=Ø275, H=75
Dimensions Square/Rectangular (L x W x H) (mm)	L=0, W=0, H=0
Cut-out Size (mm)	0
Product Weight (Kg)	1.4
CONSTRUCTION	
Body Material	Die Cast Aluminium
Body Colour	Grey
Optical Material	N/A
Optical Finish	N/A
Termination	4x2x2.5mm sq. Push In Terminal
Driver - Integal or Remote	Integral
PACKAGING	
Carton Dimensions (mm)	N/A
Quantity per Outer Carton	N/A
Total Weight incl. Carton (Kg)	N/A

LUMINAIRE PERFORMANCE	
Energy Rating	N/A
Luminaire Lumens (lm)	1759
Power Consumption (W)	18.3
LED Lumens (lm/W)	140
Efficacy (l.lm/c.W)	96
Operating Temp. (Min/Max)	-20°C to 25°C
LIGHT SOURCE	
Type	LED
Correlated Colour Temp.	4000
Correlated Rendering Index (CRI)	>80
Lumen Depreciation	L80 100000
SDCM	<3
ELECTRICAL INPUT	
VOLTAGE (V)	220-240V AC
Operating Frequency	50
In Rush	<25A
Drivers per MCB*	B10=16 B16=28
Class	Class 1
Power Factor	>0.95
Cable Entry	Back
ELECTRICAL OUTPUT	
Forward Current (mA)	480
Forward Voltage (Vf)	30
EMERGENCY DATA	
Mode of Operation	N/A
Battery Duration	N/A
Battery Type	N/A
Battery Specification	N/A
Ballast Lumen Factor (BLF)	N/A
DIMMING	
DALI	N/A
OTHER	N/A
Switch Dim	N/A
Corridor Function	N/A
SENSORS	
Microwave	N/A
PIR	N/A
STANDARDS/APPROVALS	
CE Marked	Yes
Certificate of Conformity	Yes
Accreditations	N/A
BARCODE	
EAN NUMBER	5055943044586
S NUMBER	4544000

* GUIDE ONLY



PLAIN TRIM

