

WIRERITE JUNCTION BOX WIR16JB

INSTALLATION INSTRUCTIONS FOR 'S-PLAN' SYSTEM, USING TWO x 2-PORT MOTORISED VALVES

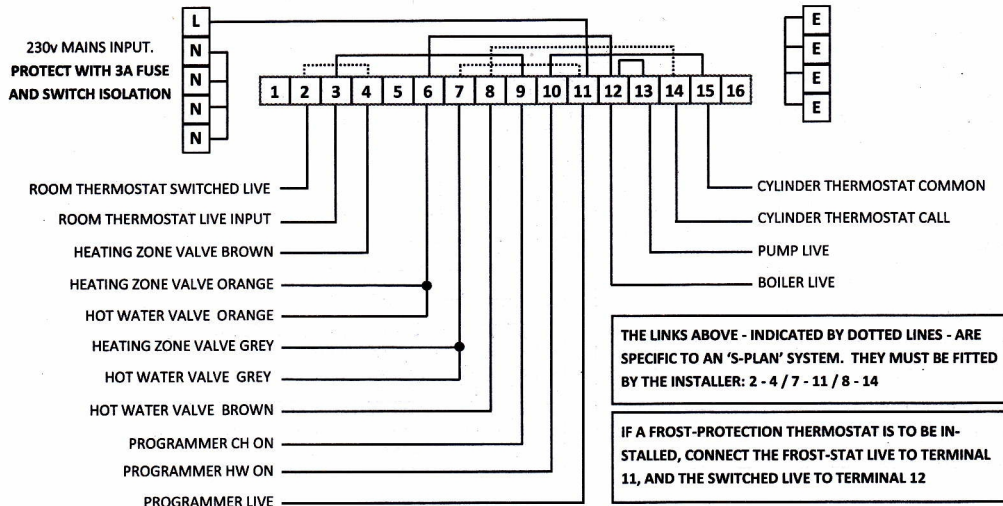
ALL WIRING MUST BE ACCORDING TO CURRENT I.E.E. WIRING REGULATIONS, AND MUST BE CARRIED OUT BY A QUALIFIED INSTALLER.

CONNECT SYSTEM CONTROL COMPONENTS TO NUMBERED TERMINALS ACCORDING TO THE SCHEMATIC DIAGRAM BELOW.

THE SCHEMATIC DIAGRAM IS SUITABLE **ONLY** FOR MAINS-RATED COMPONENTS AND SWITCH INPUTS TO PUMP & BOILER.

FOR CLARITY, NEUTRAL AND EARTH CONNECTIONS ARE NOT SHOWN—THERE ARE FOUR PRE-LINKED TERMINALS FOR ALL NEUTRAL CONDUCTORS, AND FOUR SEPARATE PRE-LINKED TERMINALS FOR ALL EARTH CONDUCTORS.

FIT ADDITIONAL LINKS AS INDICATED BY DOTTED LINES. ENSURE WIRING IS NEAT, AND OF OPTIMUM LENGTH TO MINIMISE BUNCHING. USE CABLE RESTRAINTS. DO NOT TRAP OR PINCH WIRES WHEN RE-FITTING JUNCTION BOX COVER.



WIRERITE JUNCTION BOX WIR16JB

INSTALLATION INSTRUCTIONS FOR 'Y-PLAN' SYSTEM, USING ONE THREE-PORT MOTORISED VALVE

ALL WIRING MUST BE ACCORDING TO CURRENT I.E.E. WIRING REGULATIONS, AND MUST BE CARRIED OUT BY A QUALIFIED INSTALLER.

CONNECT SYSTEM CONTROL COMPONENTS TO NUMBERED TERMINALS ACCORDING TO THE SCHEMATIC DIAGRAM BELOW.

THE SCHEMATIC DIAGRAM IS SUITABLE **ONLY** FOR MAINS-RATED COMPONENTS AND SWITCH INPUTS TO PUMP & BOILER.

FOR CLARITY, NEUTRAL AND EARTH CONNECTIONS ARE NOT SHOWN—THERE ARE FOUR PRE-LINKED TERMINALS FOR ALL NEUTRAL CONDUCTORS, AND FOUR SEPARATE PRE-LINKED TERMINALS FOR ALL EARTH CONDUCTORS.

FIT ADDITIONAL LINKS AS INDICATED BY DOTTED LINES. ENSURE WIRING IS NEAT, AND OF OPTIMUM LENGTH TO MINIMISE BUNCHING. USE CABLE RESTRAINTS. DO NOT TRAP OR PINCH WIRES WHEN RE-FITTING JUNCTION BOX COVER.

