

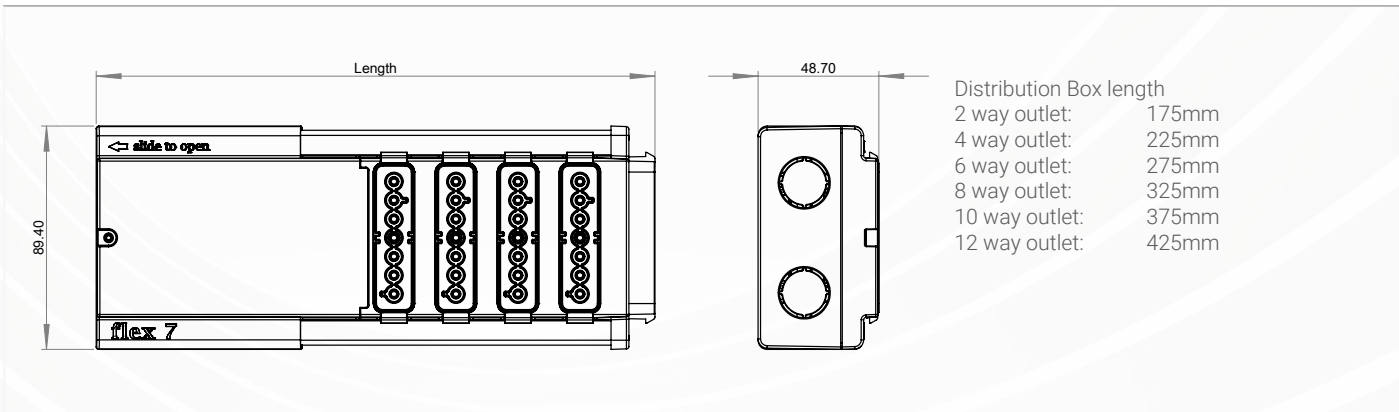
FLEX7 TRUNKING MOUNT PLATE DIMENSIONS



FLEX7 TRUNKING MOUNT PLATE

CABLE ENTRY (KNOCKOUT):	20mm Ø (order /20) 25mm Ø (order /25)
MATERIAL SPECIFICATION (MOULDED):	PA6, Halogen Free, UL94, V0
INGRESS PROTECTION:	IP2X
OPERATING TEMPERATURE RANGE:	-5°C / +40°C

FLEX7 STARTER DISTRIBUTION BOX DIMENSIONS



FLEX7 STARTER DISTRIBUTION BOX

SUPPLY VOLTAGE:	230V~
CURRENT RATING:	16A (7 contacts per outlet, each rated at 16A)
FREQUENCY:	50Hz
TERMINAL CAPACITY (SOCKET):	5 x 1.50mm ² , 3 x 2.50mm ² conductors, 2 x 4.00mm ² or 1 x 6.0mm ²
CABLE ENTRY (KNOCKOUT):	4 x 20mm Ø (sides) 1 x 25mm Ø (rear)
MATERIAL SPECIFICATION (MOULDED):	PA6, Halogen Free, UL94, V0 PC/ABS, UL94, V0
INGRESS PROTECTION:	IP2X
OPERATING TEMPERATURE RANGE:	-5°C / +40°C