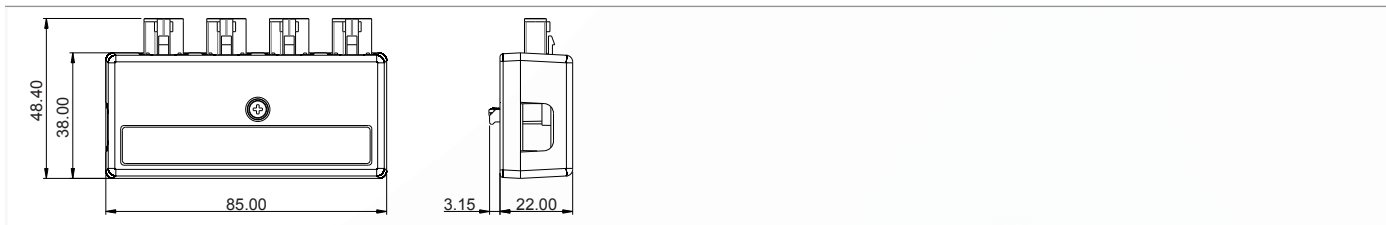


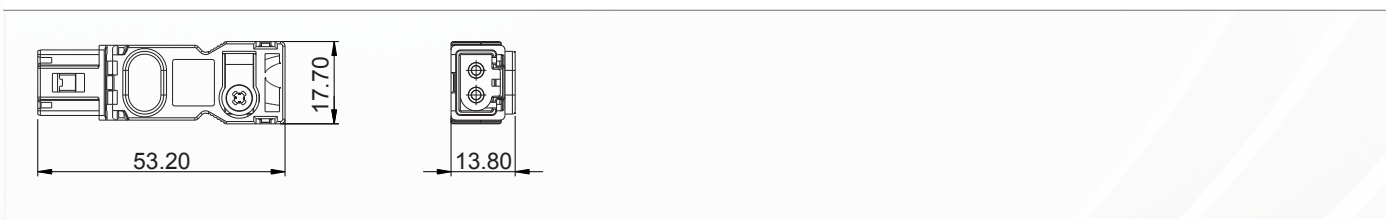
FLEX7 2-POLE AUXILIARY ADAPTOR UNIT DIMENSIONS



FLEX7 2-POLE AUXILIARY ADAPTOR UNIT

SUPPLY VOLTAGE:	230V~
CURRENT RATING:	6A
MATERIAL SPECIFICATION (MOULDED):	PA6, Halogen Free, UL94, V0
INGRESS PROTECTION:	IP2X
OPERATING TEMPERATURE RANGE:	-5°C / +40°C

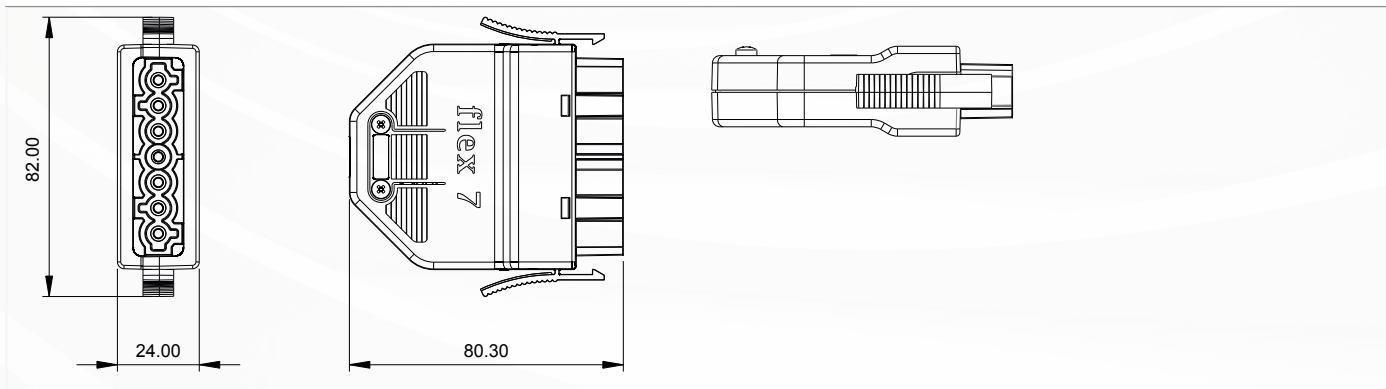
FLEX7 2-POLE AUXILIARY ADAPTOR PLUG DIMENSIONS



FLEX7 2-POLE AUXILIARY ADAPTOR PLUG

SUPPLY VOLTAGE:	230V~
CURRENT RATING:	10A
MATERIAL SPECIFICATION (MOULDED):	PA6, Halogen Free, UL94, V0
INGRESS PROTECTION:	IP2X
OPERATING TEMPERATURE RANGE:	-5°C / +40°C

FLEX7 PLUG (CABLE MOUNT) DIMENSIONS



FLEX7 PLUG (CABLE MOUNT)

SUPPLY VOLTAGE:	230V~
CURRENT RATING:	16A
FREQUENCY	50Hz
TERMINAL CAPACITY:	0.50mm ² to 2.50mm ²
CORD GRIP CAPACITY	11.50mm ² Ø
MATERIAL SPECIFICATION (MOULDED):	PA6, Halogen Free, UL94, V0
INGRESS PROTECTION:	IP2X
OPERATING TEMPERATURE RANGE:	-5°C / +40°C