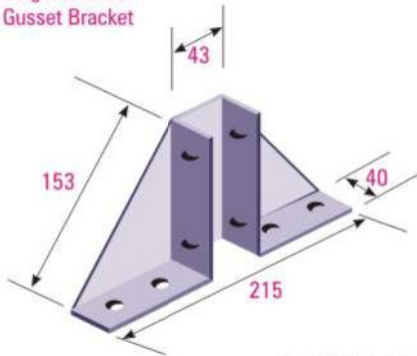


FLAT PLATE FITTINGS

(All Dimensions In mm)

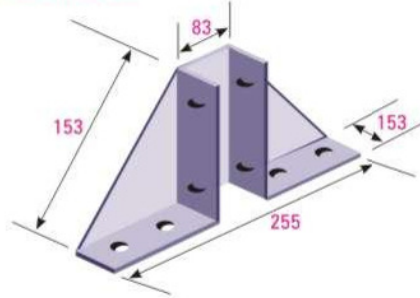
Single Channel Gusset Bracket



WEIGHT 1.65 KG.

FB-109/41

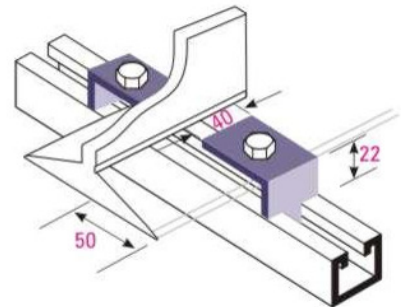
Double Channel Gusset Bracket



WEIGHT 1.85 KG.

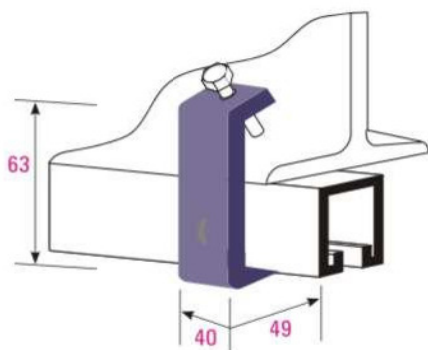
FB-109/82

BEAM CLAMPS



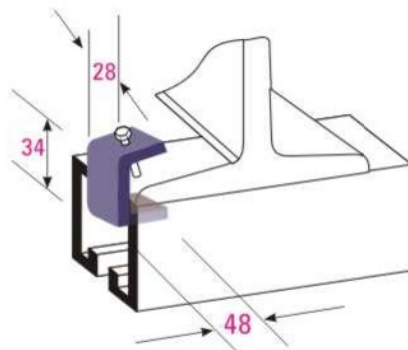
WEIGHT 0.12 KG.

BC-007



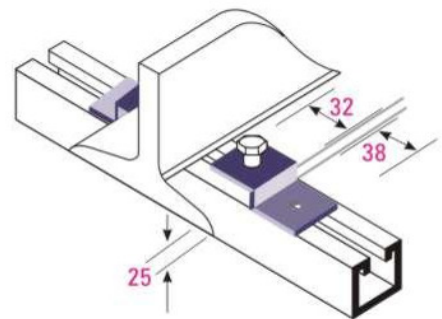
WEIGHT 0.39 KG.

BC-005



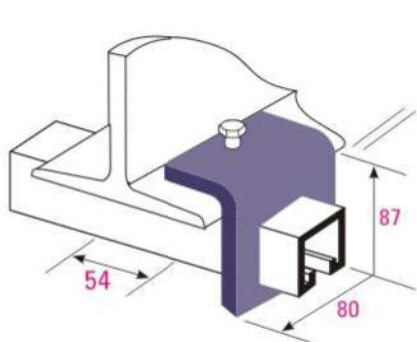
WEIGHT 0.15 KG.

BC-006



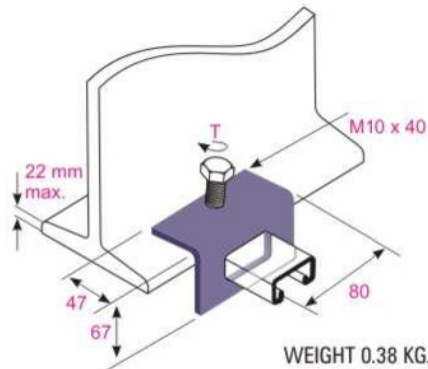
WEIGHT 0.16 KG.

BC-004



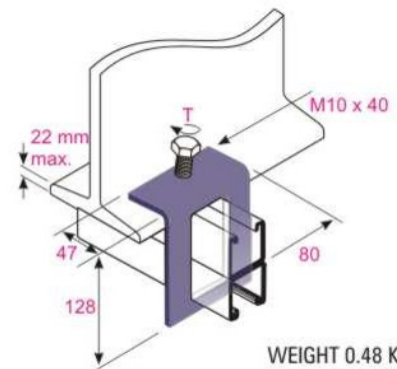
WEIGHT 0.39 KG.

BC-002 = 41



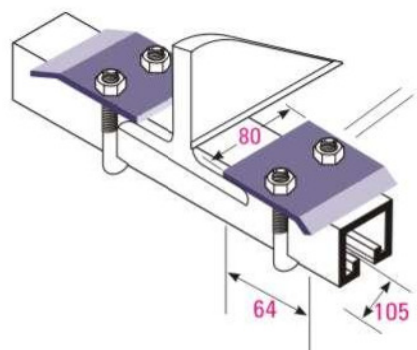
WEIGHT 0.38 KG.
T= 15 Nm

BC002/A



WEIGHT 0.48 KG.
T= 15 Nm

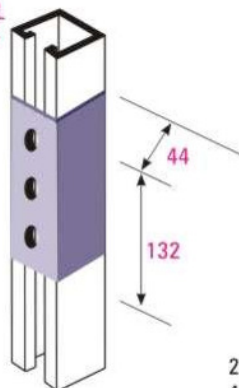
BC002/B



WEIGHT 0.40 KG.

BC-003 = 41, BC-001 = 82

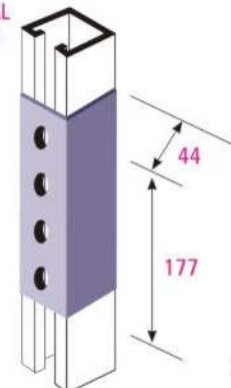
INTERNAL COUPLER



21-0.220 KG.
41-0.330 KG.

JP143/41, JP144/21

EXTERNAL COUPLER



21-0.600 KG.
41-0.750 KG.

FB127/41, FB127/21