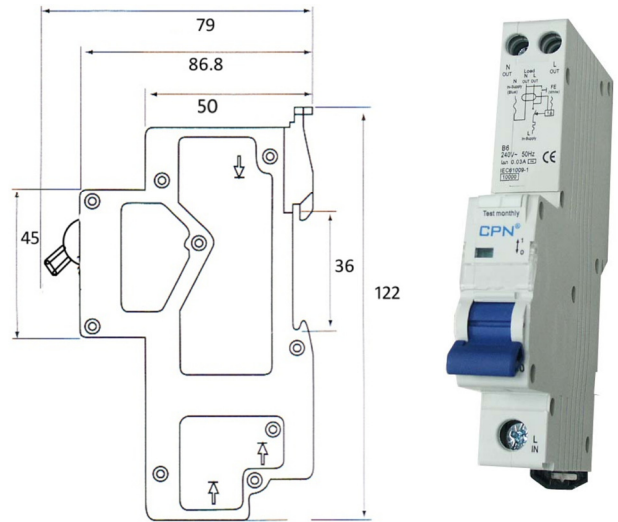


# ROH 1 Module RCBO – SELECTION GUIDE

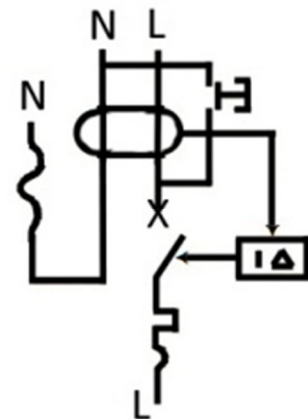
**KEYWORDS:** 6A-40A; 30mA; 6kA; 1 module; B, C curves; Consumer unit mount

## Residual Circuit Breaker – ROH Range

The ROH range is a 1 Pole 1 Module device  
 An RCBO is a combination MCB and RCD  
 Provides overload and short circuit protection in one unit  
 Complete with integral Test button  
 Comply with EN61009  
 Available in B and C curve  
 6kA interrupt capacity  
 Current ratings (A) – 6, 10, 16, 20, 25, 32, 40  
 30mA tripping current  
 Connection terminal: pillar terminal with clamp  
 Conductor capacity: flexible 10mm<sup>2</sup>, rigid 16mm<sup>2</sup>  
 35mm DIN rail mount  
 Panel mounting



Single Pole and Neutral (Box Quantity 1)		
	B CURVE	C CURVE
6A	ROH106B/030	ROH106C/030
10A	ROH110B/030	ROH110C/030
16A	ROH116B/030	ROH116C/030
20A	ROH120B/030	ROH120C/030
25A	ROH125B/030	ROH125C/030
32A	ROH132B/030	ROH132C/030
40A	ROH140B/030	ROH140C/030



## Additional items for use with ROH RCBOs

- CU range of insulated consumer units – pages xx
- ECU and CU ranges of insulated mini-consumer units and enclosures – pages xx
- CU/M range of metal consumer units and metal enclosures (1 pole) – pages xx
- Metal consumer units split load wiring kits – page xx
- MCBs: MB range page xx; MD range page xx; MH range page xx