

Wall Mounted Passive Infrared Sensor

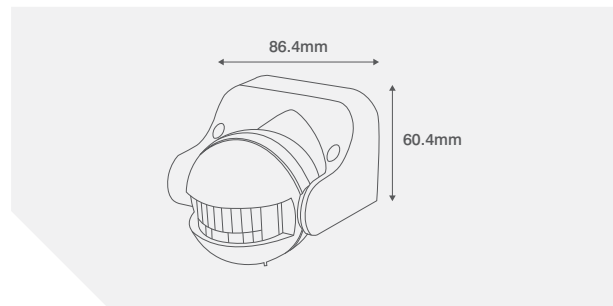


AVAILABLE FINISHES



CODE	DESCRIPTION
OVPIR001WH	180° Tilttable IP44 PIR - White
OVPIR001BK	180° Tilttable IP44 PIR - Black

PRODUCT INFO	
Voltage	220-240V~
Frequency	50/60Hz
Operating Temp	-20°C - +40°C
Load Rating	300W (LED) / 1200W (Incan.)
Detection Angle	180°
Detection Distance	Upto 12 Metres Max.
Adjustable Time	10 Sec. - 7 Mins.
Adjustable Lux Level	3 - 2000lx
IP Rating	IP44



PRODUCT APPROVALS

EN 60669-1 EN 60669-2-1 EN 61058-1 EN 61547 EN 55015 EN 61000-3-2 EN 61000-3-3



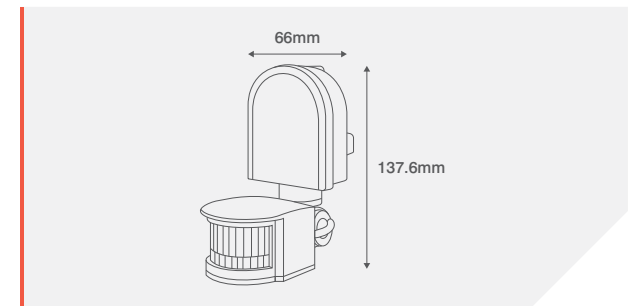
Wall Mountable Passive Infrared Sensor

AVAILABLE FINISHES



PRODUCT INFO	
Voltage	220-240V~
Frequency	50/60Hz
Operating Temp	-20°C - +40°C
Load Rating	300W (LED) / 1200W (Incan.)
Detection Angle	180°
Detection Distance	5 - 12 Metres
Adjustable Time	10 Sec. - 7 Mins.
Adjustable Lux Level	3 - 2000lx
IP Rating	IP44

CODE	DESCRIPTION
OVPIR002WH	180° Multi-Directional IP44 PIR - White
OVPIR002BK	180° Multi-Directional IP44 PIR - Black



PRODUCT APPROVALS

EN 61058-1 EN 61547 EN 55015 EN 61000-3-2 EN 61000-3-3

