

IP65 LED Floodlight With Photocell



AVAILABLE FINISHES

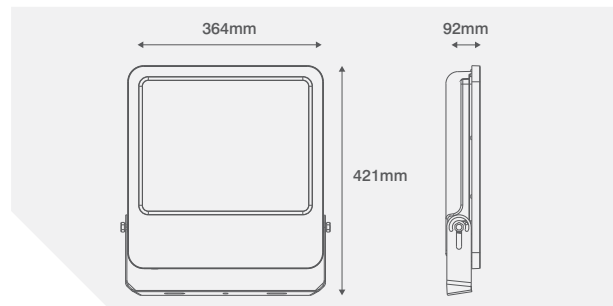


COLOUR TEMPERATURE



CODE	DESCRIPTION
OV101200BKCWPC	200W Floodlight With Photocell - 4000K - Black

PRODUCT INFO	
CCT (K)	4000K
Lumens	20000lm
Efficacy	100lm/W
Wattage	200W
CRI	>80
Beam Angle	110°
LED Lifetime	30,000 Hours
Voltage	220-240V~
Frequency	50/60Hz
Operating Temp	-20°C - +45°C
Ambient Light 'ON'	10 - 20 Lux
Ambient Light 'OFF'	30 - 60 Lux



Prewired with 1 metre flylead

PRODUCT APPROVALS

EN 60598-1 EN 60598-2-5 EN 55015 EN 61547 EN 62471 EN 62493 EN61000-3-2 EN61000-3-3



IP65 LED Floodlight With Photocell



AVAILABLE FINISHES

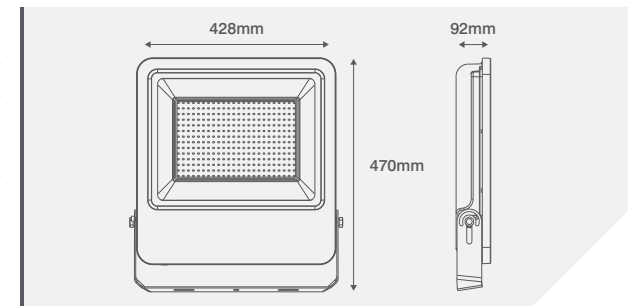


COLOUR TEMPERATURE



PRODUCT INFO	
CCT (K)	4000K
Lumens	24000lm
Efficacy	80lm/W
Wattage	300W
CRI	>80
Beam Angle	110°
LED Lifetime	30,000 Hours
Voltage	220-240V~
Frequency	50/60Hz
Operating Temp	-20°C - +45°C
Ambient Light 'ON'	10 - 20 Lux
Ambient Light 'OFF'	30 - 60 Lux

CODE	DESCRIPTION
OV101300BKCWPC	300W Floodlight With Photocell - 4000K - Black



PRODUCT APPROVALS

Prewired with 1 metre flylead

EN 60598-1 EN 60598-2-5 EN 55015 EN 61547 EN 62471 EN 62493 EN61000-3-2 EN61000-3-3

