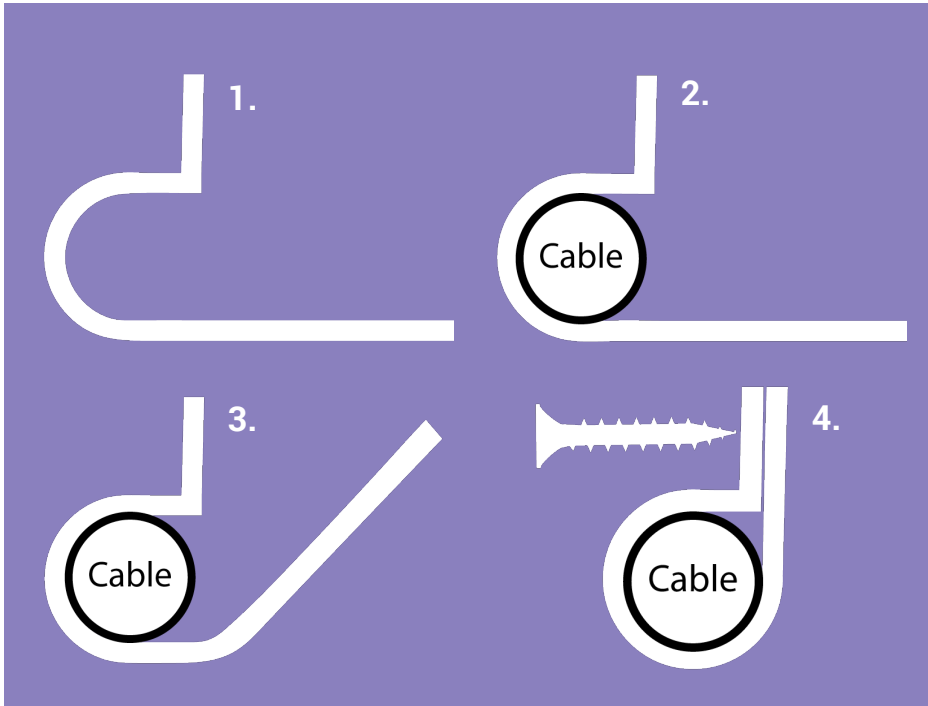


INSTALLATION GUIDE

Firefly FIXED CLEAT



CODE	SIZE mm
FFMC5	10.1mm - 12.7mm
FFMC6	13.6mm - 15.7mm
FFMC7	15.1mm - 17.8mm
FFMC8	17.7mm - 20.3mm
FFMC9	20.2mm - 22.8mm
FFMC10	22.7mm - 25.4mm
FFMC11	25.3mm - 27.7mm
FFMC12	27.6mm - 30.5mm
FFMC14	0.4mm - 35.5mm
FFMC16	35.4mm - 40.6mm
FFMC18	40.5mm - 45.7mm
FFMC20	45.6mm - 50.8mm

SPACING: Use 400mm spacing for vertical and horizontal spacing.

SCREWS: concrete screws must be used with the correct drill size. DO NOT use plastic wall plugs.

QUALIFIED ELECTRICIANS ONLY.

