

Surface Mounted Passive Infrared Sensor

Surface Mounted Passive Infrared Sensor

76
CONTROLS

77
CONTROLS

IP44
WARRANTY 5 YEAR
INFRARED SENSOR
INDOOR & OUTDOOR USE

AVAILABLE FINISHES

BLACK
WHITE



AVAILABLE FINISHES

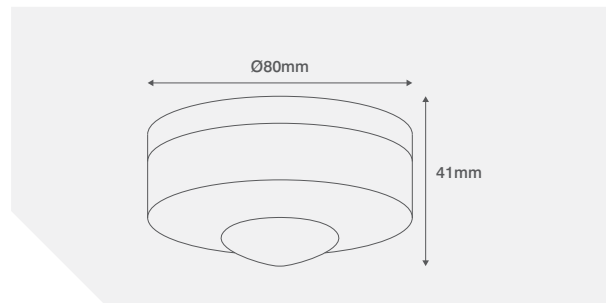
WHITE
BLACK

INDOOR & OUTDOOR USE
INFRARED SENSOR
WARRANTY 5 YEAR
IP44



CODE	DESCRIPTION
OVPIR005WH	360° Compact IP44 PIR - White
OVPIR005BK	360° Compact IP44 PIR - Black

PRODUCT INFO	
Voltage	220-240V~
Frequency	50/60Hz
Operating Temp	-20°C - +40°C
Load Rating	300W (LED) / 1200W (Incan.)
Detection Angle	360°
Detection Range	6M Diameter at 4 Metres
Adjustable Time	10 Sec. - 15 Mins.
Adjustable Lux Level	3 - 2000lx
IP Rating	IP44



Zero Cross Technology

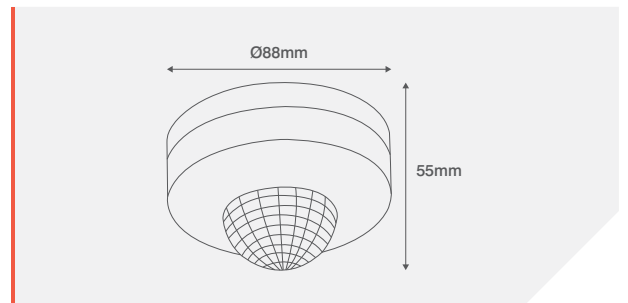
PRODUCT APPROVALS

EN 60669-1 EN 60669-2-1 EN 61547 EN 55015 EN 61000-3-2 EN 61000-3-3



PRODUCT INFO	
Voltage	220-240V~
Frequency	50/60Hz
Operating Temp	-20°C - +40°C
Load Rating	300W (LED) / 1200W (Incan.)
Detection Angle	360°
Detection Range	12M Diameter at 4 Metres
Adjustable Time	10 Sec. - 15 Mins.
Adjustable Lux Level	3 - 2000lx
IP Rating	IP44

CODE	DESCRIPTION
OVPIR006WH	360° Surface IP44 PIR - White
OVPIR006BK	360° Surface IP44 PIR - Black



PRODUCT APPROVALS

Zero Cross Technology

EN 61058-1 EN 61547 EN 55015 EN 61000-3-2 EN 61000-3-3

