

7W Dimmable IP65 LED Downlights With CTA Switch

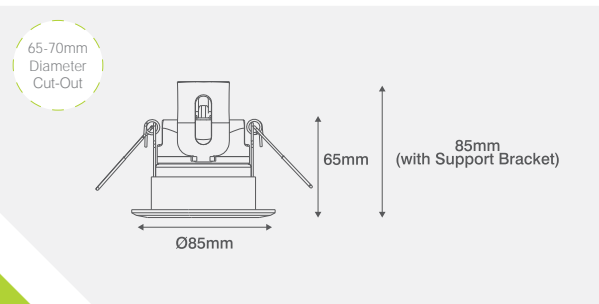


AVAILABLE FINISHES



CODE	DESCRIPTION
OV4600WH7D	Fixed Downlight - White
OV4600CH7D	Fixed Downlight - Chrome
OV4600SC7D	Fixed Downlight - Satin Chrome

COMPATIBLE PRODUCTS		
OVBZ4605**	Adjustable Bezel For Inceptor Omni	page 23
OVSP3120**	130mm Diameter (75mm Aperture) Converter Plate	page 38
OVMCG2305M3	3 Hour Universal Emergency Pack with prewired Flow Connectors	page 50



COLOUR TEMPERATURE



PRODUCT INFO

CCT (K)	2700K	4200K	6500K
Lumens	430lm	480lm	450lm
Efficacy	61lm/W	69lm/W	64lm/W
Beam Angle	40°	50°	65°
Wattage	7W		
CRI	>80		
LED Lifetime	25,000 Hours		
Voltage	220-240V ~		
Frequency	50Hz		
Dimmable	Yes		
Operating Temp	-15°C - +40°C		

Complete with prewired Flow™ Connector  
5 Years (Registered)

PRODUCT APPROVALS

EN 60598-1 IEC 60598-2-2 EN 62471 IEC/TR 62778 EN 55015 EN 61547 BS EN 62483 EN 61000-3-2 EN 61000-3-3  
Fire Rating 30, 60 & 90 minutes Acoustic Rating 0dB (zero impact on sound insulation) Air Flow BS 5250: 2011 compliant



Adjustable Bezels For Inceptor® Omni

AVAILABLE FINISHES



CODE	DESCRIPTION
OVBZ4605WH	IP54 Adjustable Bezel - White
OVBZ4605SC	IP54 Adjustable Bezel - Satin Chrome
OVBZ4605CH	IP54 Adjustable Bezel - Chrome

15° Adjustable Tilt Angle

5 Years (Registered)