

Recessed Flush Passive Infrared Sensor

Recessed Flush Passive Infrared Sensor

WARRANTY **5** YEAR

INFRARED SENSOR

INDOOR USE

AVAILABLE FINISHES



AVAILABLE FINISHES



INDOOR USE

INFRARED SENSOR

WARRANTY **5** YEAR

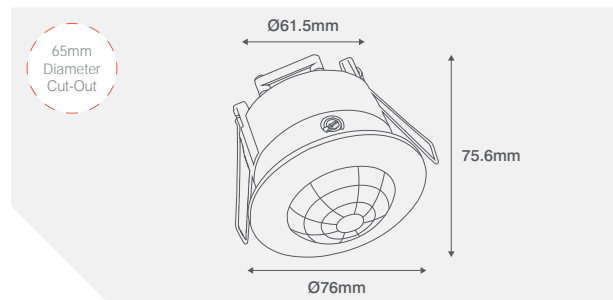


CODE DESCRIPTION

**OVPIR008WH** 360° Recessed Flush PIR

PRODUCT INFO

Voltage	220-240V ~
Frequency	50/60Hz
Operating Temp	-20°C - +40°C
Load Rating	300W (LED) / 1200W (Incan.)
Detection Angle	360°
Detection Range	6M Diameter at 4 Metres
Adjustable Time	10 Sec. - 15 Mins.
Adjustable Lux Level	3 - 2000lx
IP Rating	IP20



Zero Cross Technology

PRODUCT APPROVALS

EN 60669-1 EN 60669-2-1 EN 61547 EN 55015 EN 61000-3-2 EN 61000-3-3

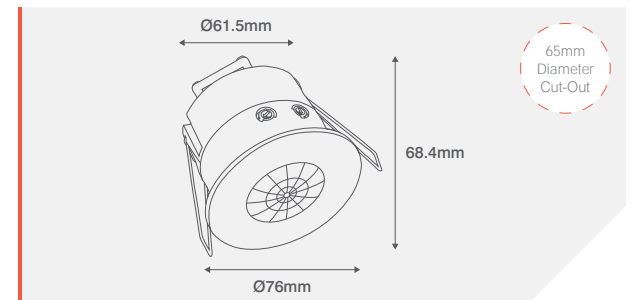


PRODUCT INFO

Voltage	220-240V ~
Frequency	50/60Hz
Operating Temp	-20°C - +40°C
Load Rating	600W (LED) / 1200W (Incan.)
Detection Angle	360°
Detection Range	8M Diameter at 4 Metres
Adjustable Time	10 Sec. - 15 Mins.
Adjustable Lux Level	3 - 2000lx
IP Rating	IP20

CODE DESCRIPTION

**OVPIR009WH** 360° Recessed Flush PIR With Override



PRODUCT APPROVALS

Zero Cross Technology

EN 60669-1 EN 60669-2-1 EN 61547 EN 55015 EN 61000-3-2 EN 61000-3-3

