

Luminaire Mounted Passive Infrared Sensor

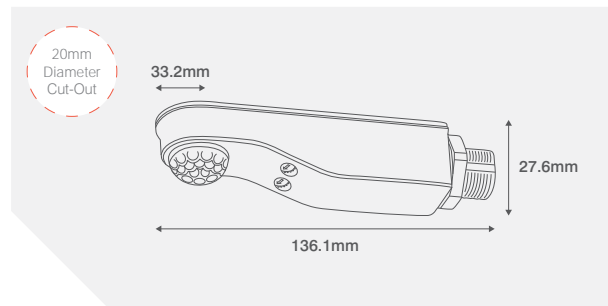


AVAILABLE FINISHES



CODE	DESCRIPTION
OVPIR010WH	360° Luminaire Mountable IP65 PIR

PRODUCT INFO	
Voltage	220-240V ~
Frequency	50/60Hz
Operating Temp	-20°C - +40°C
Load Rating	500W (LED) / 1200W (Incan.)
Detection Angle	360°
Detection Range	10M Diameter at 6 Metres
Adjustable Time	10 Sec. - 30 Mins.
Adjustable Lux Level	3 - 2000lx



Zero Cross Technology

PRODUCT APPROVALS

EN 61058-1 EN 61547 EN 55015 EN 61000-3-2 EN 61000-3-3



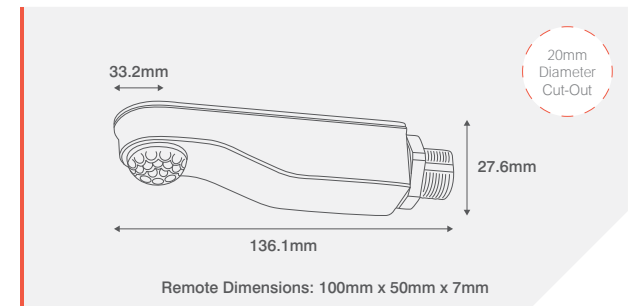
Luminaire Mounted Passive Infrared Sensor

AVAILABLE FINISHES



PRODUCT INFO	
Voltage	220-240V ~
Frequency	50/60Hz
Dimmable	1-10V
Operating Temp	-20°C - +40°C
Load Rating	500W (LED) / 1200W (Incan.)
Detection Angle	360°
Detection Range	10M Diameter at 6 Metres
Adjustable Range	50%, 75%, 100%
Stand-by Period	5, 10, 15, 30, 60Mins., Off
Stand-by Dimmed Level	OFF, 10%, 20%, & 30%
Adjustable Lux Level	10, 50, 150, 2000lx

CODE	DESCRIPTION
OVPIR011WH	360° Luminaire Mountable Dimmable IP65 PIR With Remote



PRODUCT APPROVALS

Zero Cross Technology

EN 61058-1 EN 61547 EN 55015 EN 61000-3-2 EN 61000-3-3

