

IP44 LED Floodlight With PIR



AVAILABLE FINISHES

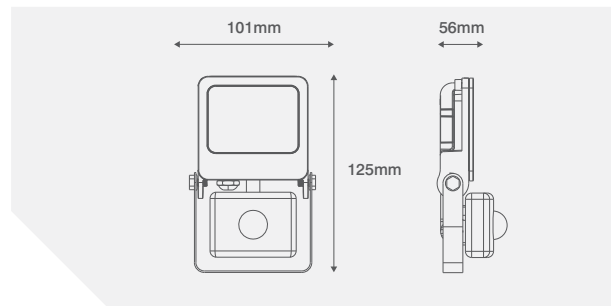


COLOUR TEMPERATURE



CODE	DESCRIPTION
OV10110WHWWPIR	10W Floodlight With PIR - 3000K - White
OV10110BKWWPIR	10W Floodlight With PIR - 3000K - Black
OV10110WHCWPIR	10W Floodlight With PIR - 4000K - White
OV10110BKCWPIR	10W Floodlight With PIR - 4000K - Black

PRODUCT INFO		
CCT (K)	3000K	4000K
Lumens	700lm	800lm
Efficacy	70lm/W	80lm/W
Wattage	10W	
CRI	>80	
Beam Angle	110°	
LED Lifetime	30,000 Hours	
Voltage	240V~	
Frequency	50/60Hz	
Operating Temp	-10°C - +45°C	
Detection Area	180° Upto 10 Metres	
Time Delay	10 Secs - 10 Mins	
Light Level	2 - 2000 Lux	



Prewired with 1 metre flylead

PRODUCT APPROVALS

EN 60598-1 EN 60598-2-5 EN 55015 EN 61547 EN 62471 EN 62493 EN61000-3-2 EN61000-3-3



IP44 LED Floodlight With PIR

AVAILABLE FINISHES

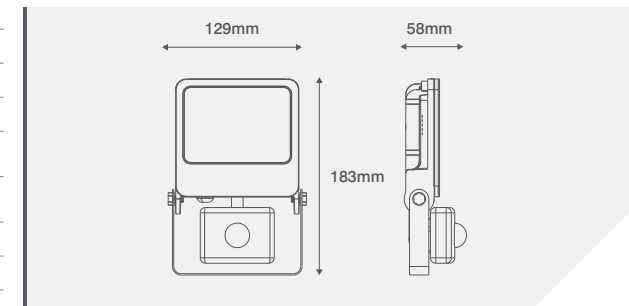


COLOUR TEMPERATURE



PRODUCT INFO		
CCT (K)	3000K	4000K
Lumens	1500lm	1600lm
Efficacy	75lm/W	80lm/W
Wattage	20W	
CRI	>80	
Beam Angle	110°	
LED Lifetime	30,000 Hours	
Voltage	240V~	
Frequency	50/60Hz	
Operating Temp	-10°C - +45°C	
Detection Area	180° Upto 10 Metres	
Time Delay	10 Secs - 10 Mins	
Light Level	2 - 2000 Lux	

CODE	DESCRIPTION
OV10120WHWWPIR	20W Floodlight With PIR - 3000K - White
OV10120BKWWPIR	20W Floodlight With PIR - 3000K - Black
OV10120WHCWPIR	20W Floodlight With PIR - 4000K - White
OV10120BKCWPIR	20W Floodlight With PIR - 4000K - Black



PRODUCT APPROVALS

Prewired with 1 metre flylead

EN 60598-1 EN 60598-2-5 EN 55015 EN 61547 EN 62471 EN 62493 EN61000-3-2 EN61000-3-3

