

IP65 LED Floodlight



AVAILABLE FINISHES

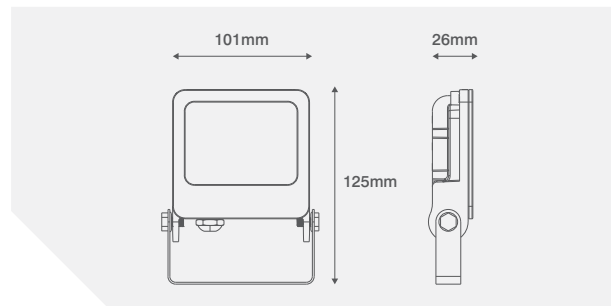


COLOUR TEMPERATURE



CODE	DESCRIPTION
OV10110WHWW	10W Floodlight - 3000K - White
OV10110BKWW	10W Floodlight - 3000K - Black
OV10110WHCW	10W Floodlight - 4000K - White
OV10110BKCW	10W Floodlight - 4000K - Black

PRODUCT INFO		
CCT (K)	3000K	4000K
Lumens	700lm	800lm
Efficacy	70lm/W	80lm/W
Wattage	10W	
CRI	>80	
Beam Angle	110°	
LED Lifetime	30,000 Hours	
Voltage	240V ~	
Frequency	50/60Hz	
Operating Temp	-20°C - +45°C	



Prewired with 1 metre flylead

PRODUCT APPROVALS

EN 60598-1 EN 60598-2-5 EN 55015 EN 61547 EN 62471 EN 62493 EN61000-3-2 EN61000-3-3



IP65 LED Floodlight



AVAILABLE FINISHES

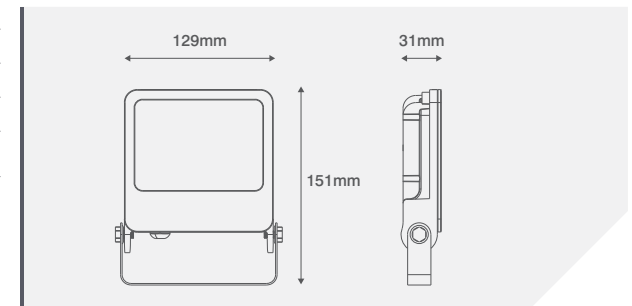


COLOUR TEMPERATURE



PRODUCT INFO		
CCT (K)	3000K	4000K
Lumens	1500lm	1600lm
Efficacy	75lm/W	80lm/W
Wattage	20W	
CRI	>80	
Beam Angle	110°	
LED Lifetime	30,000 Hours	
Voltage	240V ~	
Frequency	50/60Hz	
Operating Temp	-20°C - +45°C	

CODE	DESCRIPTION
OV10120WHWW	20W Floodlight - 3000K - White
OV10120BKWW	20W Floodlight - 3000K - Black
OV10120WHCW	20W Floodlight - 4000K - White
OV10120BKCW	20W Floodlight - 4000K - Black



PRODUCT APPROVALS

Prewired with 1 metre flylead

EN 60598-1 EN 60598-2-5 EN 55015 EN 61547 EN 62471 EN 62493 EN61000-3-2 EN61000-3-3

