

Surface Mounted Passive Infrared Sensor

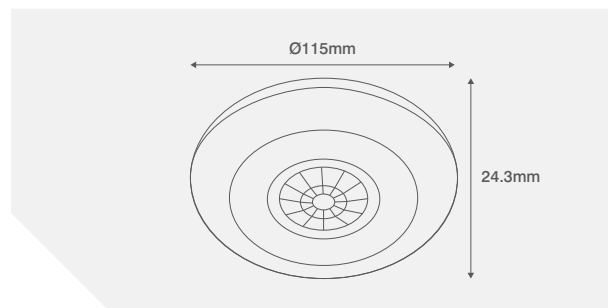


AVAILABLE FINISHES



CODE	DESCRIPTION
OVPIR007WH	360° Low Profile Surface PIR

PRODUCT INFO	
Voltage	220-240V ~
Frequency	50/60Hz
Operating Temp	-20°C - +40°C
Load Rating	1000W (LED) / 2000W (Incan.)
Detection Angle	360°
Detection Range	8M Diameter at 4 Metres
Adjustable Time	10 Sec. - 15 Mins.
Adjustable Lux Level	3 - 2000lx
IP Rating	IP20



Zero Cross Technology

PRODUCT APPROVALS

EN 60669-1 EN 60669-2-1 EN 61547 EN 55015 EN 61000-3-2 EN 61000-3-3



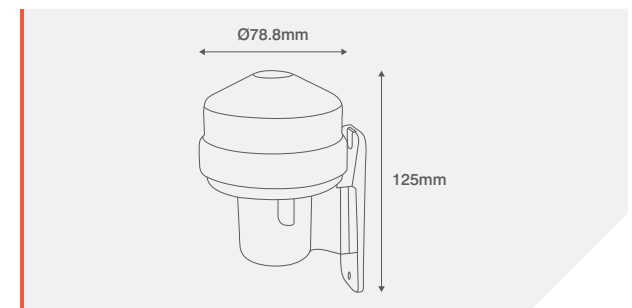
Wall Mounted Photocell

AVAILABLE FINISHES



PRODUCT INFO	
Voltage	220-240V ~
Frequency	50/60Hz
Operating Temp	-20°C - +40°C
Load Rating	10A
Detection Angle	360°
Lux Level	5-15 Lux (Not Adjustable)
IP Rating	IP44

CODE	DESCRIPTION
OVPC001BK	IP44 Photocell



PRODUCT APPROVALS

EN 61058-1 EN 61547 EN 55015 EN 61000-3-2 EN 61000-3-3

