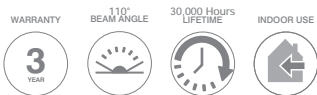


Adaptable Downlight With CTA Switch



AVAILABLE FINISHES



COLOUR TEMPERATURE

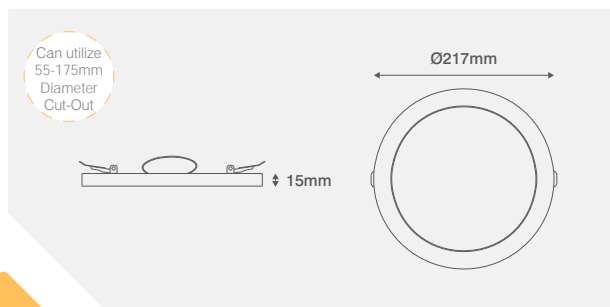


CODE	DESCRIPTION
OV6418	18W 217mm Diameter Downlight - White

PRODUCT INFO		
CCT (K)	3000K	4000K 6000K
Lumens	1588lm	1717lm 1580lm
Efficacy	88lm/W	95lm/W 88lm/W
Wattage	18W	
CRI	>80	
Beam Angle	110°	
LED Lifetime	30,000 Hours	
Voltage	240V ~	
Frequency	50/60Hz	
Dimmable	Non-Dimmable	
Operating Temp	-20°C - +40°C	

COMPATIBLE PRODUCTS See page 128

- OV6418SC Fascia Ring For 18W Downlight - Satin Chrome
- OV6418CH Fascia Ring For 18W Downlight - Chrome
- OV6418BK Fascia Ring For 18W Downlight - Black



Prewired with 250mm flylead

PRODUCT APPROVALS

EN 60598-1 EN 60598-2-2 EN 55015 EN 61000-3-2 EN 61000-3-3 EN 61547 EN 62471 EN 62493



Adaptable Downlight With CTA Switch & PIR

AVAILABLE FINISHES

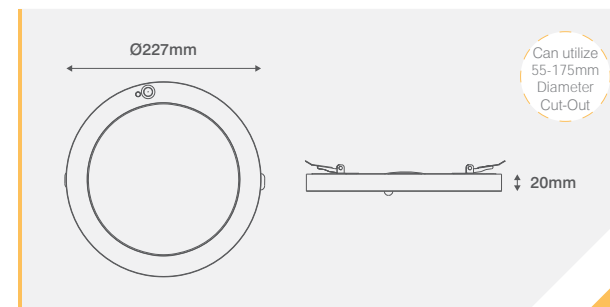


COLOUR TEMPERATURE



PRODUCT INFO		
CCT (K)	3000K	4000K 6000K
Lumens	1369lm	1478lm 1417lm
Efficacy	76lm/W	82lm/W 79lm/W
Wattage	18W	
CRI	>80	
Beam Angle	110°	
LED Lifetime	30,000 Hours	
Voltage	220-240V ~	
Frequency	50Hz	
Dimmable	Non-Dimmable	
Operating Temp	-20°C - +40°C	
Detection Area	120° Upto 6 Metres	
Time Delay	5, 30 Secs, 1, 3 Mins	
Light Level	10, 20, 40 Lux & All Day	

CODE	DESCRIPTION
OV6418PIR	18W 227mm Diameter Downlight With PIR - White



PRODUCT APPROVALS

Prewired with 250mm flylead

EN 60598-1 EN 60598-2-2 EN 55015 EN 61000-3-2 EN 61000-3-3 EN 61547 EN 62471 EN 62493

