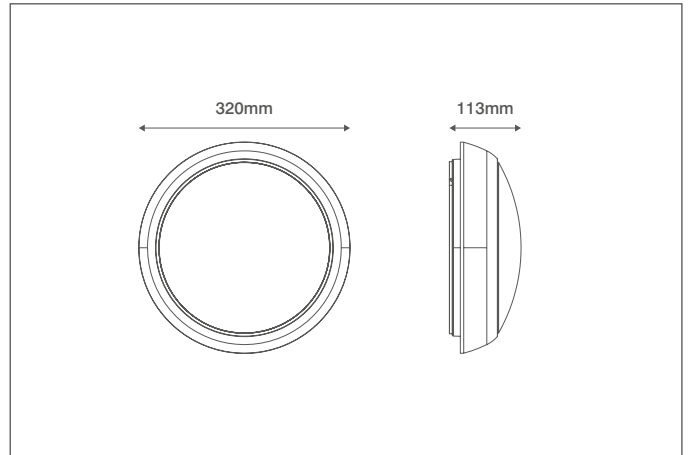
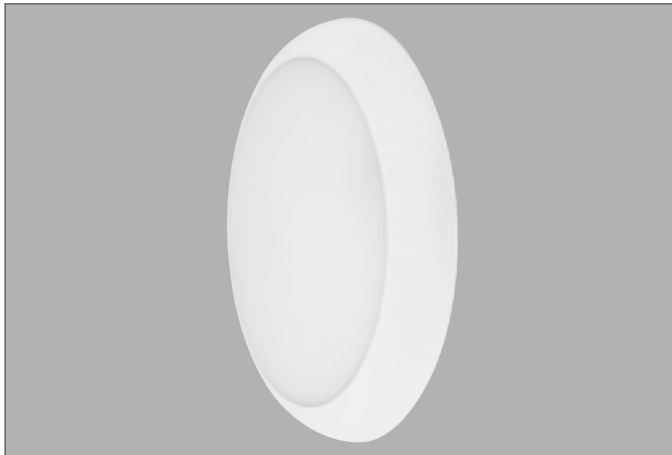


Description: 12W LED Bulkhead Standard IP65 CCT White



### General Information

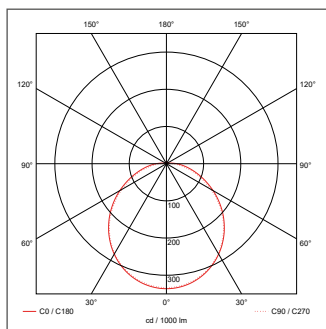
Dimensions (mm)	320 (Dia.) x 113 (D)
Materials	Base & Diffuser: Polycarbonate (UV Stabilised); Gear Tray: Powder Coated Steel; LED Array: Aluminium Substrate
Colour	White (RAL9010)
Product Weight (Kg)	0.93
Ingress Protection	IP65
Impact Rating (IK)	08
Flammability Rating	UL94-V2
Mounting	Ceiling or Wall
Warranty (Years)	5

### Luminaire Output

Colour Temperature (K)	3000	4000	6000
Typical Luminous Flux (lm)	950	1100	1050
Efficacy (lm/W)	79	91	87
Beam Angle (°)	107		
Colour Rendering Index (CRI)	>80		
LED Lifetime (L70) (Hours)	30000		

### Supply & Power Information

Continuous Operating Voltage (AC) (Hz)	220-240 (50/60)
Safety Class	II
Circuit Wattage (W)	12
LED Wattage (W)	12
Input Current (mA)	100
Power Factor	>0.95
Driver Information	Integrated
Operating Temperature (°C)	-15 to +50
Maximum Critical Temperature (°C)	+80
Input Terminations	3 Pole Push-fit Terminals



OVIA Limited, Scolmore House, Mariner, Lichfield Road Industrial Estate,  
 Tamworth, Staffordshire, B79 7UL United Kingdom  
 T: +44 (0)1827 300640  
 E: sales@oviaUK.com | W: oviaUK.com



Catalogue



Section



DoC



Installation

