

ACCESSORIES

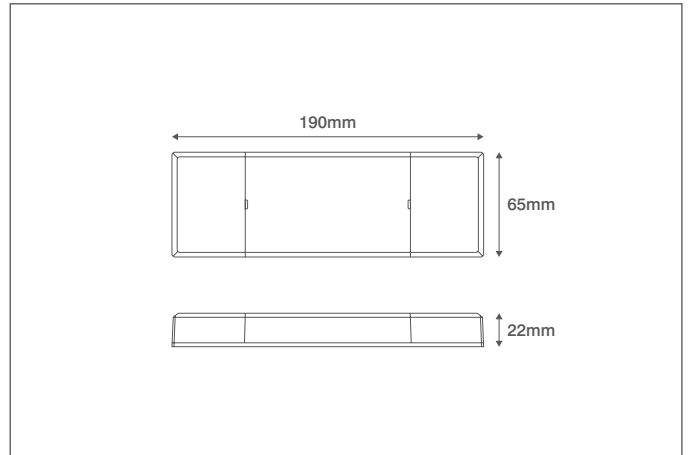
Technical Specification

Product Code: OVCG24V120IP20

Luckinslive 422357344



Description: 120W 24V Constant Voltage LED Driver Compact



General Information

Dimensions (mm)	190 (L) x 65 (W) x 22 (D)
Materials	Housing: Polycarbonate
Colour	White
Product Weight (Kg)	0.27
Ingress Protection	IP20
Flicker Free	Yes
Warranty (Years)	5

Supply & Power Information

Continuous Operating Voltage (AC) (Hz)	220-240 (50/60)
Safety Class	II
Input Power (W)	<133
Input Current (mA)	≤75
Inrush Current	<60A/280μs
Power Factor	≥0.95
Output Voltage (V DC)	24
Maximum Output Power (W)	120
Efficiency (%)	≥91
Type B 16A Circuit Breaker (Max. Number of Units)	8
Type C 16A Circuit Breaker (Max. Number of Units)	13
Rated Power (Max.)	120
Operating Temperature (°C)	-25 to +45
Maximum Critical Temperature (°C)	+90
Input Mains Cable	0.75mm ² -1.5mm ²
Input Terminations	Screw Terminals
Output Cable Size	0.5mm ² -1.5mm ²

Luminaire Output

Flicker Free	Yes
--------------	-----

Dimming Information

Dimmable	No
----------	----

Protection

Short Circuit Protection	Auto Recovery
Overload Protection	Auto Recovery
No Load Protection	Auto Recovery
Insulation Voltage	3000V 5mA 60S between P-S
Insulation Resistance	>100M Ohm @ 500VDC
Leakage Current	<250μA, I/P to PE @230V~ input



OVIA Limited, Scolmore House, Mariner, Lichfield Road Industrial Estate,
 Tamworth, Staffordshire, B79 7UL United Kingdom
 T: +44 (0)1827 300640
 E: sales@oviaUK.com | W: oviaUK.com



Catalogue



Section



DoC



Installation

