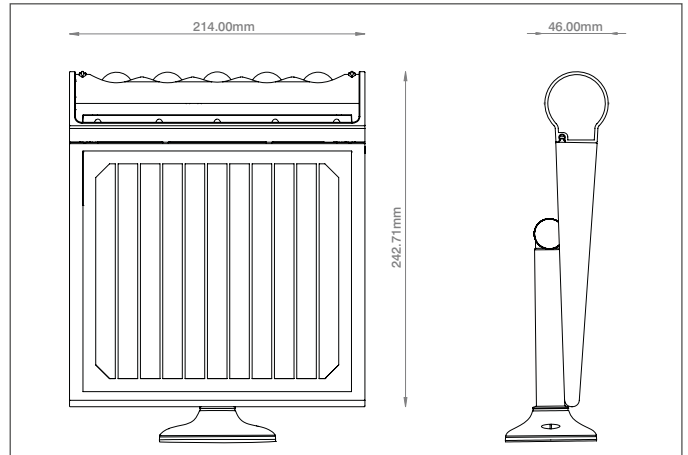


Product Code: OZ8C-S

Luckinslive 435974206

Description: 8W Solar Security Luminaire With PIR



General Information

Dimensions (mm)	268 (W) x 214 (D) x 76 (H)
Materials	Body: ABS; Diffuser: ABS
Colour	Black (RAL9011)
Product Weight (Kg)	0.85
Ingress Protection	IP65
Impact Rating (IK)	07
Flammability Rating	B1
Mounting	Wall
Warranty (Years)	1

Supply & Power Information

Safety Class	III
LED Wattage (W/M)	8
Input Current (mA)	1900
Operating Temperature (°C)	-20 to +60

Luminaire Output

Colour Temperature (K)	4000
Colour Render Index (CRI)	>80
Typical Luminous Flux (lm)	930
Efficacy (lm/W)	118
Beam Angle (°)	120
LED Lifetime (L70) (Hours)	35000

Additional Information

The LED array head can be separated from the solar panel and positioned up to 3 metres away with the interconnected cable.

Press 'Power Button' to select Mode.

Mode A: When battery >30% charged, turns on at 100%

Mode B: When fully charged and PIR activated, turns on at 100% and after 5 hours or <30% battery power the lamp automatically turns to Energy Saving Mode (turns on at 100% when PIR is activated, turning off after 20 seconds of no movement).

Sensor Information

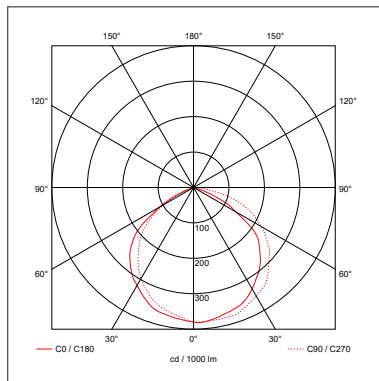
Installation Height (m)	4
Detection Distance (m)	8
Maximum Detection Angle (°)	120

Fixings Supplied

Wall fixings and installation instructions.

Emergency Backup Information

Battery Specification	Li-Ion 18650, 3.7V 4000mAh
-----------------------	----------------------------



OVIA Limited, Scolmore House, Mariner, Lichfield Road Industrial Estate,

Tamworth, Staffordshire, B79 7UL United Kingdom

T: +44 (0)1827 300640

E: sales@oviaUK.com | W: oviaUK.com



Catalogue



Section



DoC



Installation

