

CONTROLS

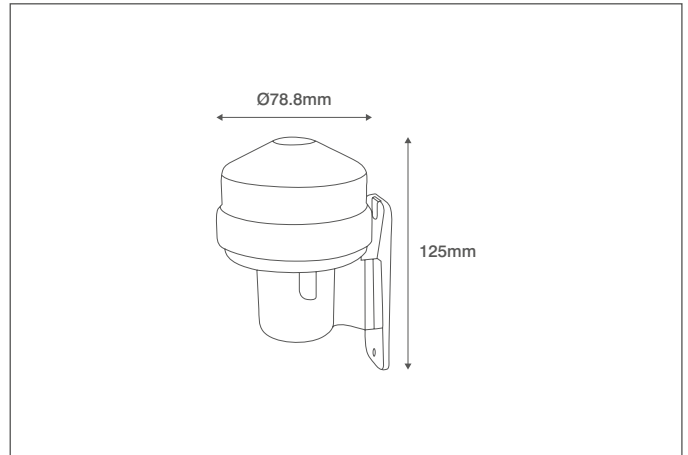
Technical Specification

Product Code: OVPC001BK

Luckinslive 407974483



Description: Wall Mountable Photocell IP65 Black



General Information

Dimensions (mm)	78.8 (W) x 86 (D) x 125 (H) (With Base)
Materials	Body: Polycarbonate (UV Stabilised)
Colour	Black
Product Weight (Kg)	0.17
Ingress Protection	IP65
Detection Angle (°)	360
Adjustment Type	None
Typical Mounting	Vertical / Wall
Warranty (Years)	3

Supply & Power Information

Continuous Operating Voltage (AC) (Hz)	220-240 (50/60)
Safety Class	II
Load Rating - Incandescent & Halogen (W)	1200
Load Rating - LED & CFL (W)	300
Operating Temperature (°C)	-20 to +40
Input Terminations	Permanent Live & Neutral
Output Terminations	Switched Live (All Screw Terminals)

Sensor Information

Light Level Settings (Lux)	5-15 (Not Adjustable)
----------------------------	-----------------------



OVIA Limited, Scolmore House, Mariner, Lichfield Road Industrial Estate,
Tamworth, Staffordshire, B79 7UL United Kingdom
T: +44 (0)1827 300640
E: sales@oviaUK.com | W: oviaUK.com



Catalogue



Section



DoC



Installation

