

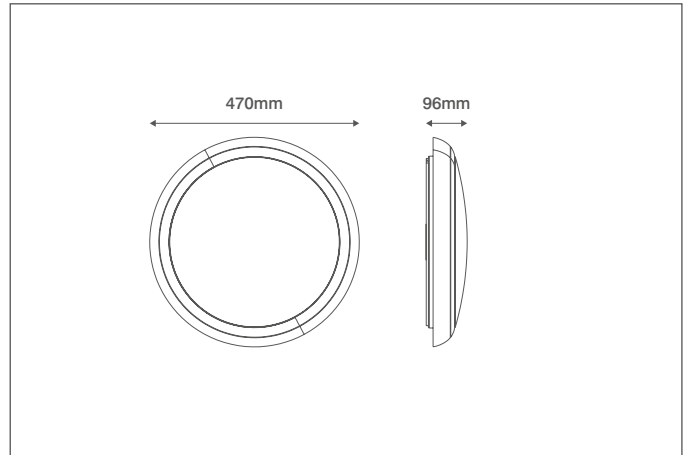
# EVO DECO XL

## Technical Specification

Product Code: OV9800WHEMMW

Luckinslive 422357315

Description: 20W LED Bulkhead Microwave Sensor & Emergency IP54 CCT White



### General Information

Dimensions (mm)	470 (Dia.) x 96 (D)
Materials	Base & Diffuser: Polycarbonate (UV Stabilised); LED Array: Aluminium Substrate
Colour	White (RAL9010)
Product Weight (Kg)	1.83
Ingress Protection	IP54
Impact Rating (IK)	08
Flammability Rating	UL94-V2
Mounting	Ceiling or Wall
Warranty (Years)	5
Battery Warranty (Years)	4

### Supply & Power Information

Continuous Operating Voltage (AC) (Hz)	220-240 (50/60)
Safety Class	II
Circuit Wattage (W)	22
LED Wattage (W)	20
Input Current (mA)	120
Power Factor	>0.95
Driver Information	Integrated
Operating Temperature (°C)	0 to +50
Maximum Critical Temperature (°C)	+90
Input Terminations	4 Pole Push-fit Terminals

### Luminaire Output

Colour Temperature (K)	3000	4000	6000
Typical Luminous Flux (lm)	1700	1900	1950
Efficacy (lm/W)	77	86	88
Beam Angle (°)	110		
Corridor Luminous Flux (15%)	170	190	195
Corridor Luminous Flux (25%)	425	475	487
Colour Rendering Index (CRI)	>80		
LED Lifetime (L70) (Hours)	30000		

### Dimming Information

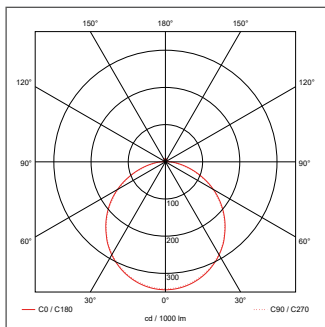
Dimmable	Yes
Dimming Format	Corridor Function
Corridor Dimming Levels (%)	10 or 25

### Sensor Information

Detection Area Settings (%)	50 or 100
Dimming Levels - Corridor Function (%)	10 or 25
Detection Angle (°)	≤150
Light Level Settings (Lux)	15 / Disable
HF System	5.8GHz ±75MHz
Master/Slave Facility	Not Available

### Emergency Backup Information

Emergency Luminous Flux (lm)	98
Minimum Duration (Hours)	3
Battery Warranty (Years)	4



OVIA Limited, Scolmore House, Mariner, Lichfield Road Industrial Estate,  
 Tamworth, Staffordshire, B79 7UL United Kingdom  
 T: +44 (0)1827 300640  
 E: sales@oviaUK.com | W: oviaUK.com



Catalogue



Section



DoC



Installation

