

# ACCESSORIES

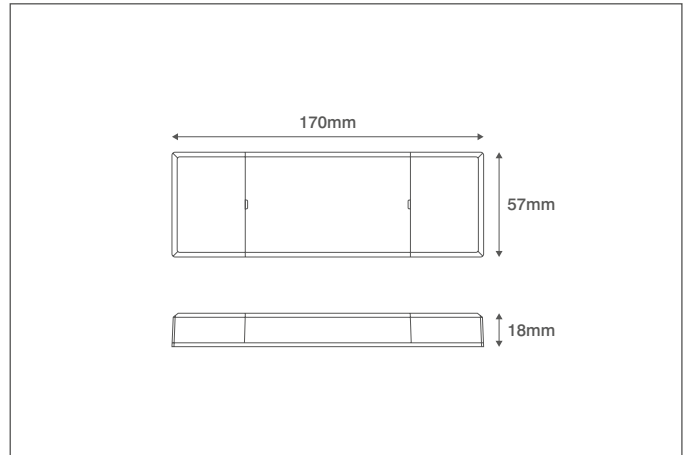
## Technical Specification

Product Code: OVCG24V30IP20

Luckinslive 422357373



Description: 30W 24V Constant Voltage LED Driver Compact



### General Information

Dimensions (mm)	170 (L) x 57 (W) x 18 (D)
Materials	Housing: Polycarbonate
Colour	White
Product Weight (Kg)	0.15
Ingress Protection	IP20
Flicker Free	Yes
Warranty (Years)	5

### Supply & Power Information

Continuous Operating Voltage (AC) (Hz)	220-240 (50/60)
Safety Class	II
Input Power (W)	<36
Inrush Current	<35A/280µs
Power Factor	≥0.92
Output Voltage (V DC)	24
Maximum Output Power (W)	30
Efficiency (%)	≥85
Type B 16A Circuit Breaker (Max. Number of Units)	35
Type C 16A Circuit Breaker (Max. Number of Units)	50
Rated Power (Max.)	30
Operating Temperature (°C)	-25 to +45
Maximum Critical Temperature (°C)	+90
Input Mains Cable	0.75mm <sup>2</sup> -1.5mm <sup>2</sup>
Input Terminations	Screw Terminals
Output Cable Size	0.5mm <sup>2</sup> -1.5mm <sup>2</sup>

### Luminaire Output

Flicker Free	Yes
--------------	-----

### Dimming Information

Dimmable	No
----------	----

### Protection

Short Circuit Protection	Auto Recovery
Overload Protection	Auto Recovery
No Load Protection	Auto Recovery
Insulation Voltage	3000V 5mA 60S between P-S
Insulation Resistance	>100M Ohm @ 500VDC
Leakage Current	<250µA, I/P to PE @230V~ input



OVIA Limited, Scolmore House, Mariner, Lichfield Road Industrial Estate,  
 Tamworth, Staffordshire, B79 7UL United Kingdom  
 T: +44 (0)1827 300640  
 E: sales@oviaUK.com | W: oviaUK.com



Catalogue



Section



DoC



Installation

